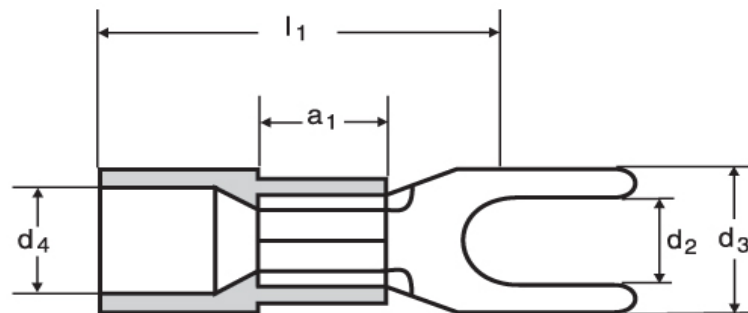


Quetschkabelschuhe

Gabelform

1,5 - 2,5 mm²



N



D

Katalogseite: 3.04

| Art.Nr. | Werkstoff | Isolation | | |
|----------|--------------|-----------|------------|-------|
| K405030N | E-Cu gal. Sn | PA | 0,660/1000 | 1.000 |
| | d2 | d3 | d4 | |
| in mm: | 3,2 | 5,9 | 4,6 | |
| | l1 | a1 | s | |
| in mm: | 17,0 | 5,0 | 0,8 | |