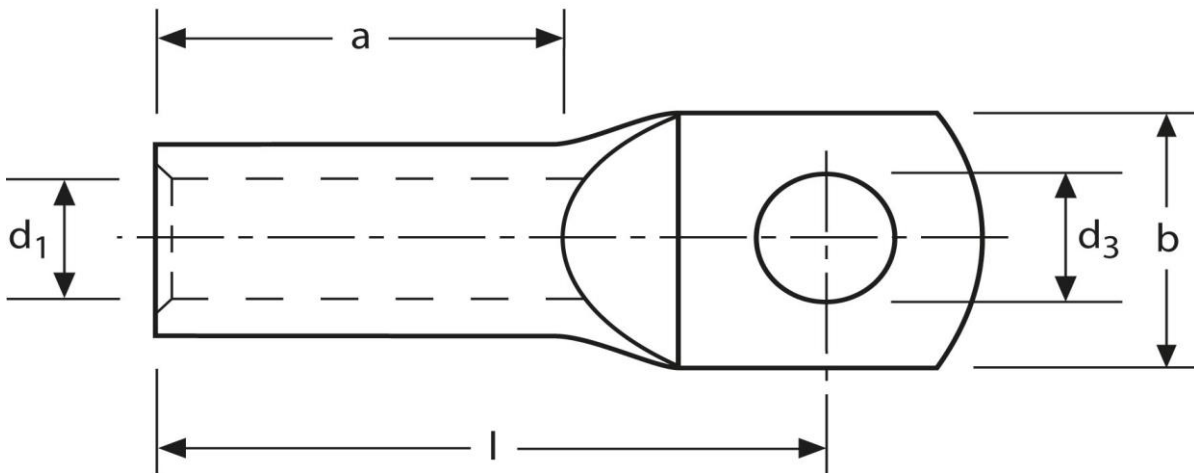


Rohrkabelschuhe

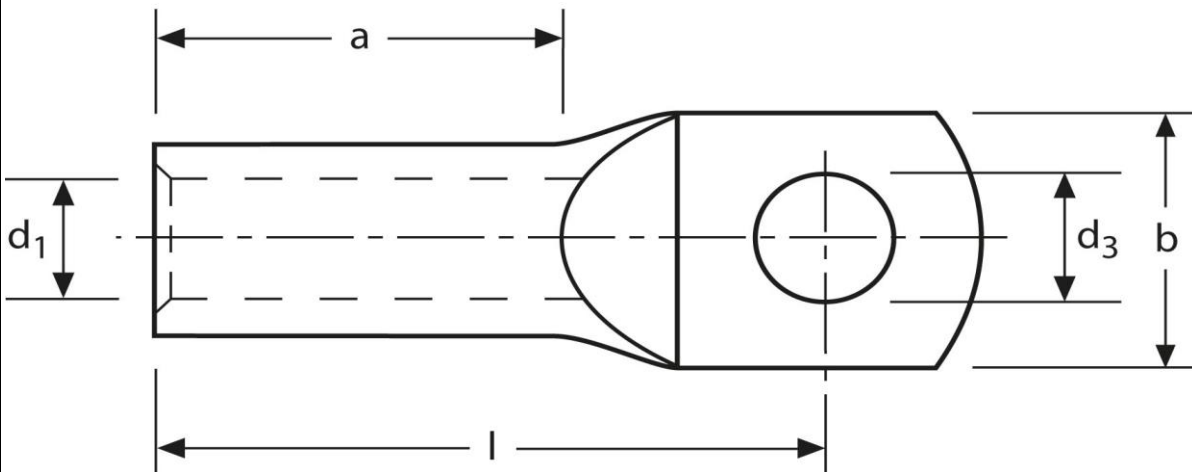
handelsüblich
 240 mm² M14



Art.Nr.	Werkstoff	Oberfläche	⚖️	📦
K 346140	E-CU	galv. Sn	144,0 / 1000	10
	d ₃	d ₁	b	
in mm:	15,0	21,0	38	
	l	a		
in mm:	73,5	38		

Stand: 20.11.2014

Tubular cable-lugs
 commercial
 240 mm² M14



part no.	material	surface		
K 346140	E-CU	tin-plated	144,0 / 1000	10
	d₃	d₁	b	
in mm:	15	21,0	38	
	l	a		
in mm:	73,5	38		

date: 20.11.2014