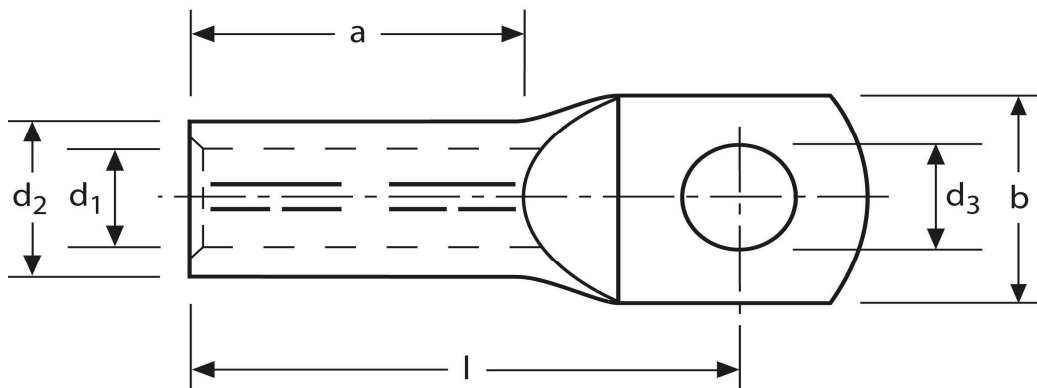


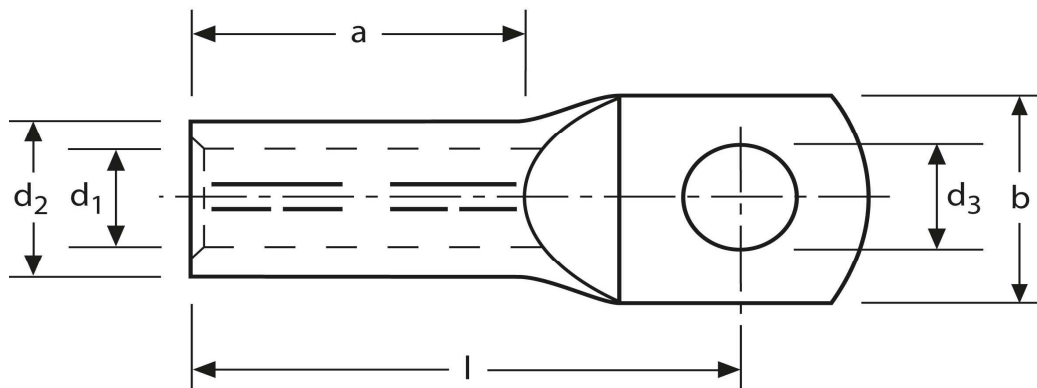
Presskabelschuhe 625 mm², M16



| Art.Nr. | Werkstoff | Oberfläche | Kennziffer | | |
|---------------|-----------|----------------------|----------------------|----------------------|---|
| K 3150160 | E-CU | galv. Sn | 44 | 820,0/1000 | 1 |
| | | d₃ | b | l | |
| in mm: | | 17,0 | 60,0 | 135 | |
| | | a | d₂ | d₁ | |
| in mm: | | 80 | 44,0 | 34,5 | |

Stand: 14.08.2014

Compression cable-lugs 625 mm², M16



| part no. | material | surface | code | | |
|---------------|----------------------|----------------------|----------------------|------------|---|
| K 3150160 | E-CU | tin-plated | 44 | 820,0/1000 | 1 |
| | d₃ | b | l | | |
| in mm: | 17,0 | 60,0 | 135 | | |
| | a | d₂ | d₁ | | |
| in mm: | 80 | 44,0 | 34,5 | | |

date: 14.08.2014