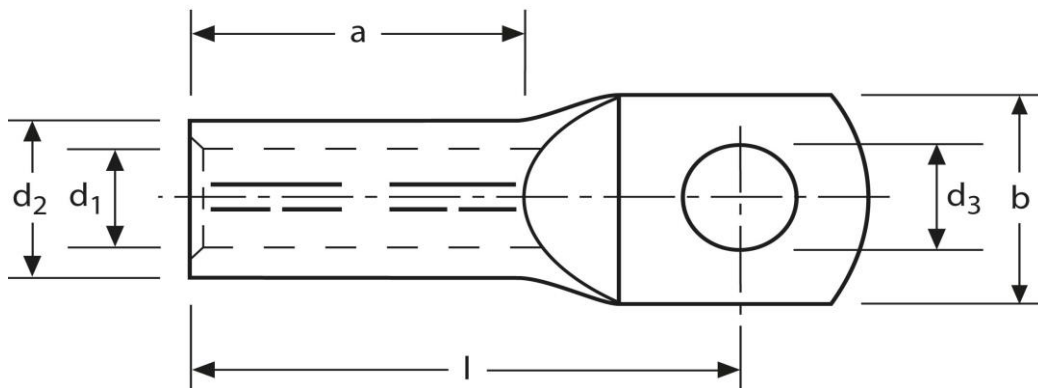


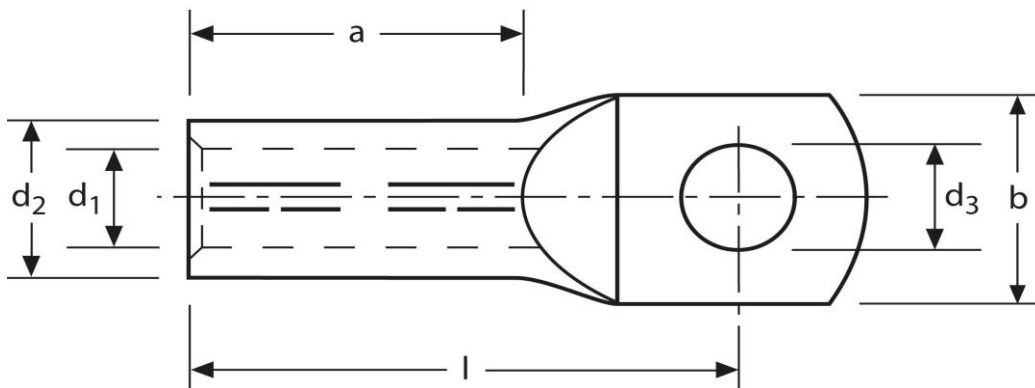
Presskabelschuhe 25 mm², M16



Art.Nr.	Werkstoff	Oberfläche	Kennziffer		
K 3138160	E-CU	galv. Sn	10	16,0/1000	25
		d₃	b	l	
in mm:		17,0	21,0	43	
		a	d₂	d₁	
in mm:		20,5	10,0	7,0	

Stand: 24.03.2017

Compression cable-lugs 25 mm², M16



part no.	material	surface	code		
K 3138160	E-CU	tin-plated	10	16,0/1000	100
	d₃	b	l		
in mm:	17,0	21,0	43		
	a	d₂	d₁		
in mm:	20,5	10,0	7,0		

date: 13.08.2014