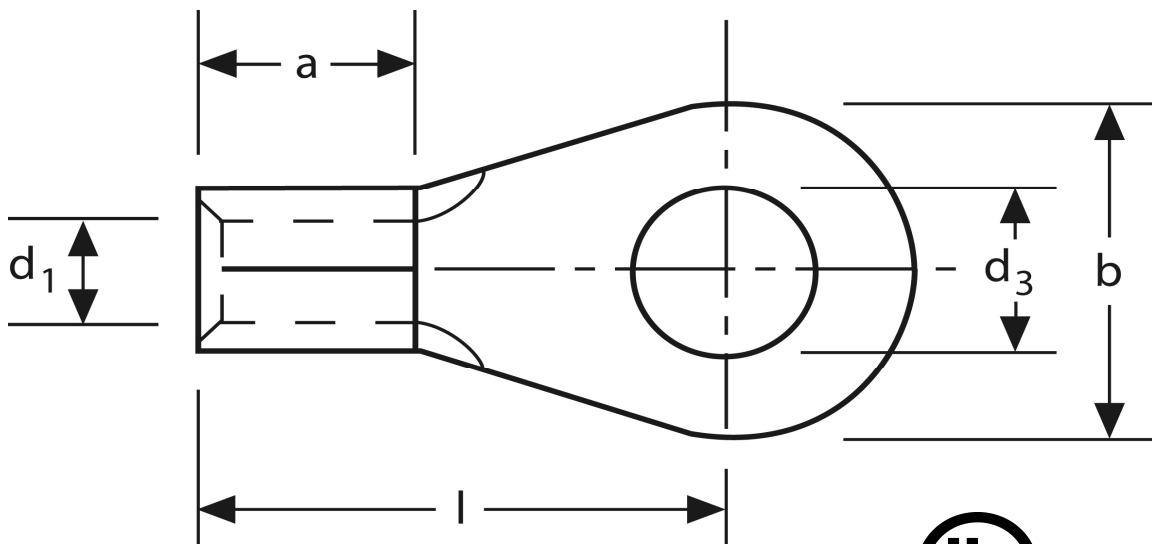


## Quetschkabelschuhe

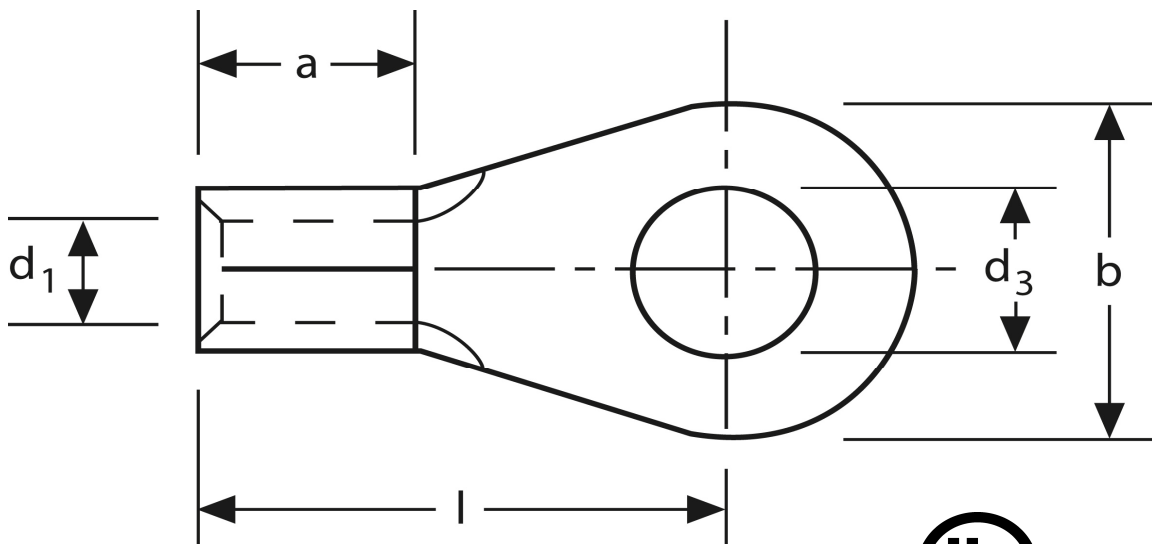
Ringform  
120 mm<sup>2</sup> M 16



Art.Nr.	Werkstoff	Oberfläche		
K 311160	E-CU	galv. Sn	58,0 / 1000	25
	<b>d<sub>3</sub></b>	<b>d<sub>1</sub></b>	<b>b</b>	
<b>in mm:</b>	17,0	16,5	28	
	<b>l</b>	<b>a</b>	<b>s</b>	
<b>in mm:</b>	48	22	3,0	

Stand: 08.07.2014

**Solderless terminals**  
ring-type  
120 mm<sup>2</sup> M 16



part no.	material	surface		
K 311160	E-CU	tin-plated	58,0 / 1000	25
	<b>d<sub>3</sub></b>	<b>d<sub>1</sub></b>	<b>b</b>	
<b>in mm:</b>	17,0	16,5	28	
	<b>l</b>	<b>a</b>	<b>s</b>	
<b>in mm:</b>	48	22	3,0	

date: 08.07.2014