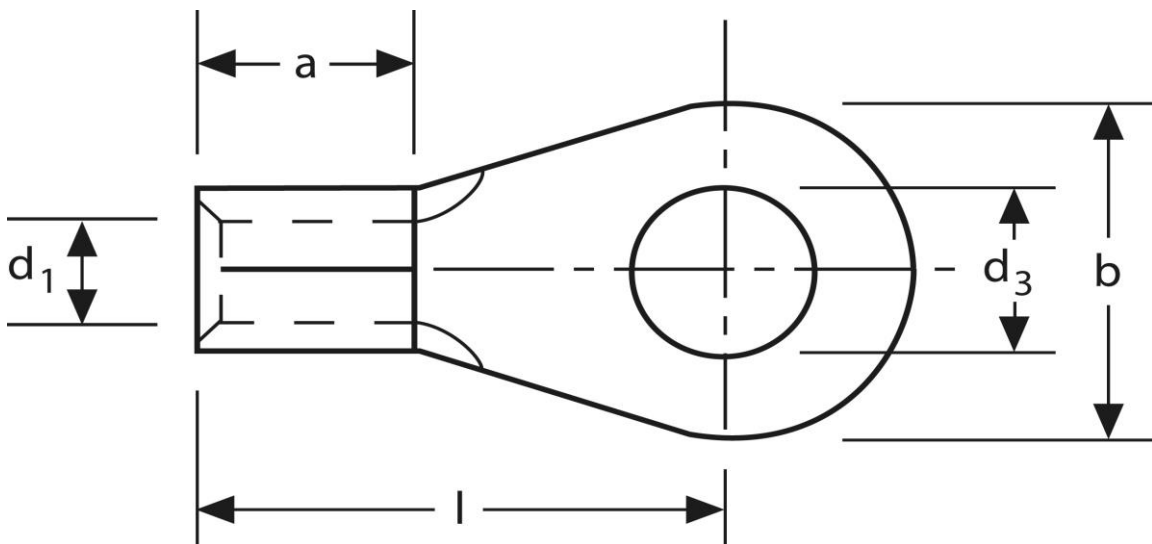


## Quetschkabelschuhe

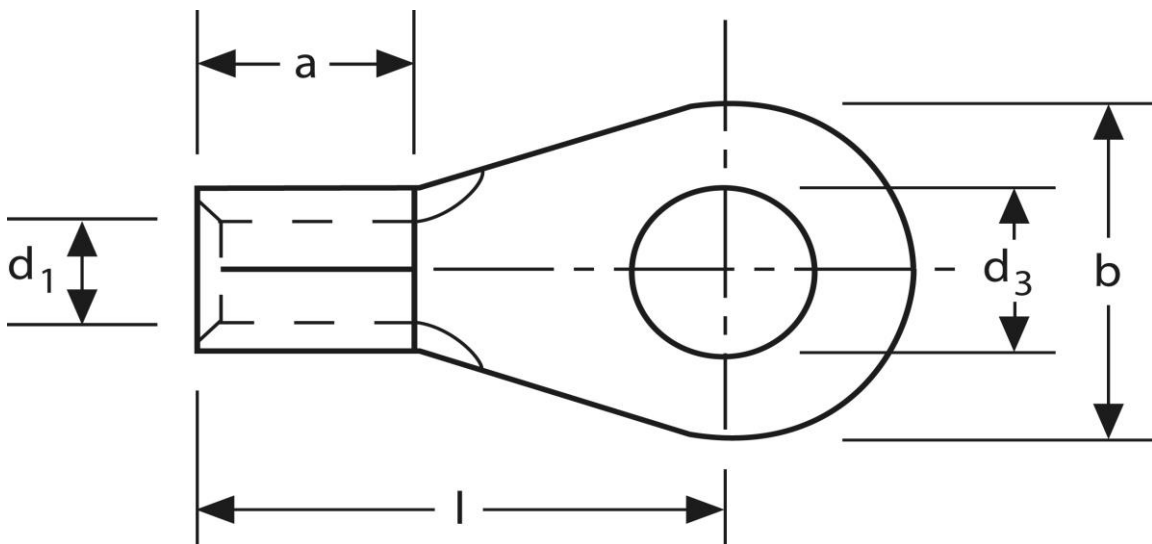
Ringform  
70 mm<sup>2</sup> M 10



Art.Nr.	Werkstoff	Oberfläche		
K 309100.1	E-CU	galv. Sn	25,60 / 1000	100
	d <sub>3</sub>	d <sub>1</sub>	b	
in mm:	10,5	13,0	22	
	l	a	s	
in mm:	38	18	2,0	

Stand: 25.01.2019

**Solderless terminals**  
 ring-type  
 70 mm<sup>2</sup> M 10



part no.	material	surface		
K 309100.1	E-CU	tin-plated	25,60 / 1000	100
	<b>d<sub>3</sub></b>	<b>d<sub>1</sub></b>	<b>b</b>	
<b>in mm:</b>	10,5	13,0	22	
	<b>l</b>	<b>a</b>	<b>s</b>	
<b>in mm:</b>	38	18	2,0	

date: 25.01.2019