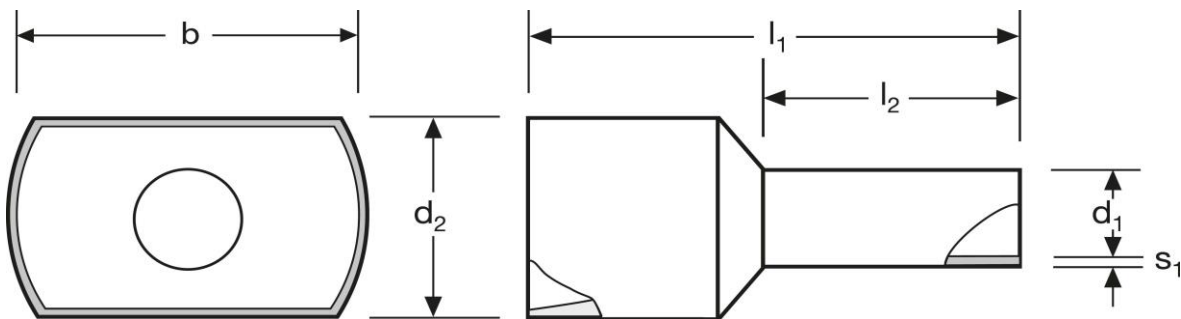






Twin - Aderendhülsen 2 x 1,5 mm² XL



Material	Isolation	
E-Cu, gal. Sn	PP	100

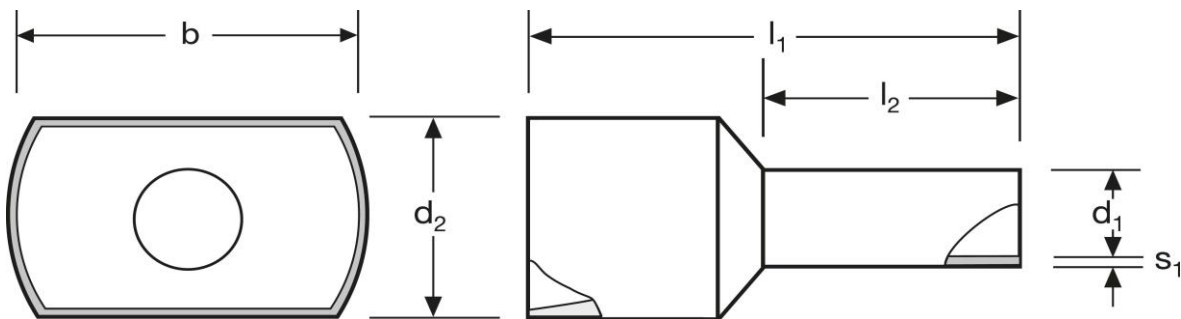
	l_1	l_2	d_1	s_1
in mm:	26,0	18	2,2	0,15


		WE	TM	DIN
d_2	b	A264181	A264182	A264183
3,6	6,5	rot 	schwarz 	schwarz 

Stand: 22.01.2019




Twin cord end - sleeves

2 x 1,5 mm² XL



material	insulation	
E-Cu, gal. Sn	PP	100

	l_1	l_2	d_1	s_1
in mm:	26,0	18	2,2	0,15

		WE	TM	DIN
d_2	b	A264181	A264182	A264183
3,6	6,5	red 	black 	black 

date: 22.01.2019