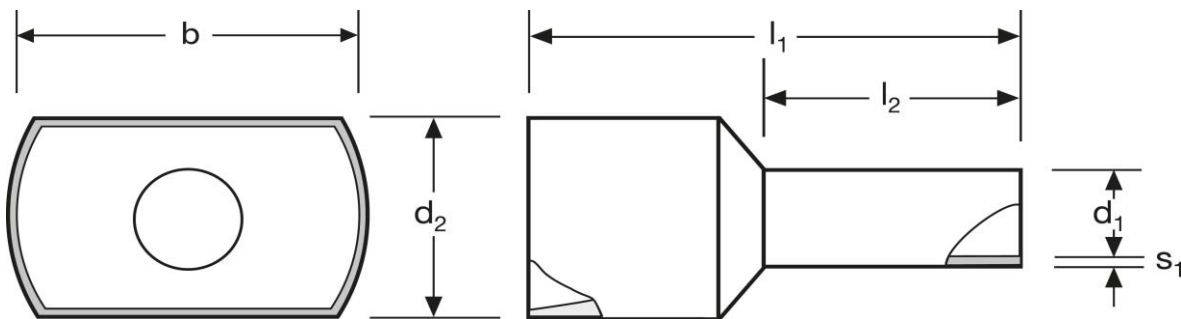
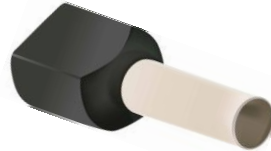


## Twin - Aderendhülsen

2 x 1,5 mm<sup>2</sup> L

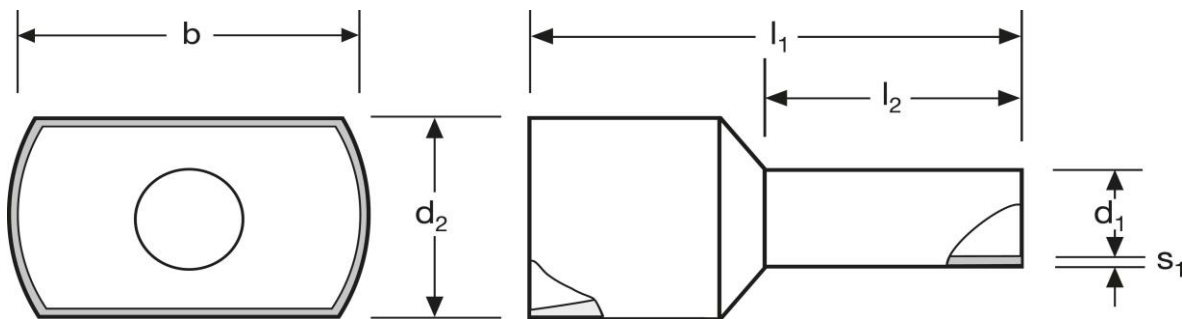
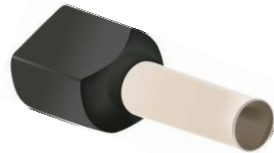


		Material	Isolation		
		E-Cu, gal. Sn	PA	0,211 / 1000	250
		l <sub>1</sub>	l <sub>2</sub>	d <sub>1</sub>	s <sub>1</sub>
in mm:		19,5	12	2,3	0,15
		WE	TM	DIN	
d <sub>2</sub>	b	A 264101	A 264102	A 264103	
3,4	6,4	rot	schwarz	schwarz	

Stand: 08.11.2016

## Twin cord end - sleeves

2 x 1,5 mm<sup>2</sup> L



			<b>material</b>	<b>insulation</b>		
			E-Cu, gal. Sn	PA	0,211 / 1000	250
			<b>l<sub>1</sub></b>	<b>l<sub>2</sub></b>	<b>d<sub>1</sub></b>	<b>s<sub>1</sub></b>
	<b>in mm:</b>		19,5	12	2,3	0,15
			<b>WE</b>	<b>TM</b>	<b>DIN</b>	
	<b>d<sub>2</sub></b>	<b>b</b>	A 264101	A 264102	A 264103	
	3,4	6,4	red	black	black	

date: 08.11.2016