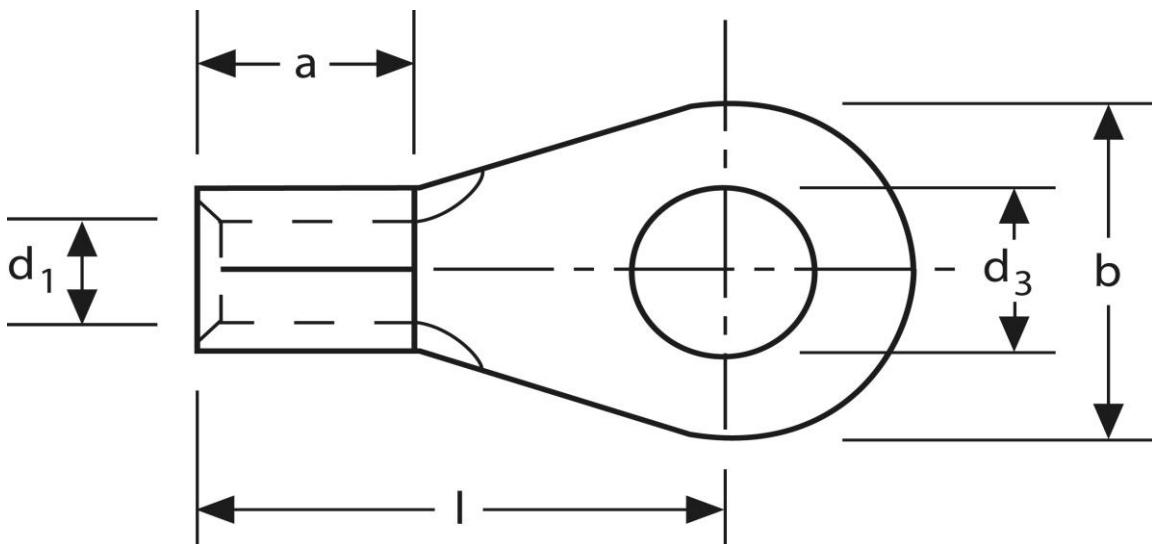


## Quetschkabelschuhe

Ringform, vernickelt

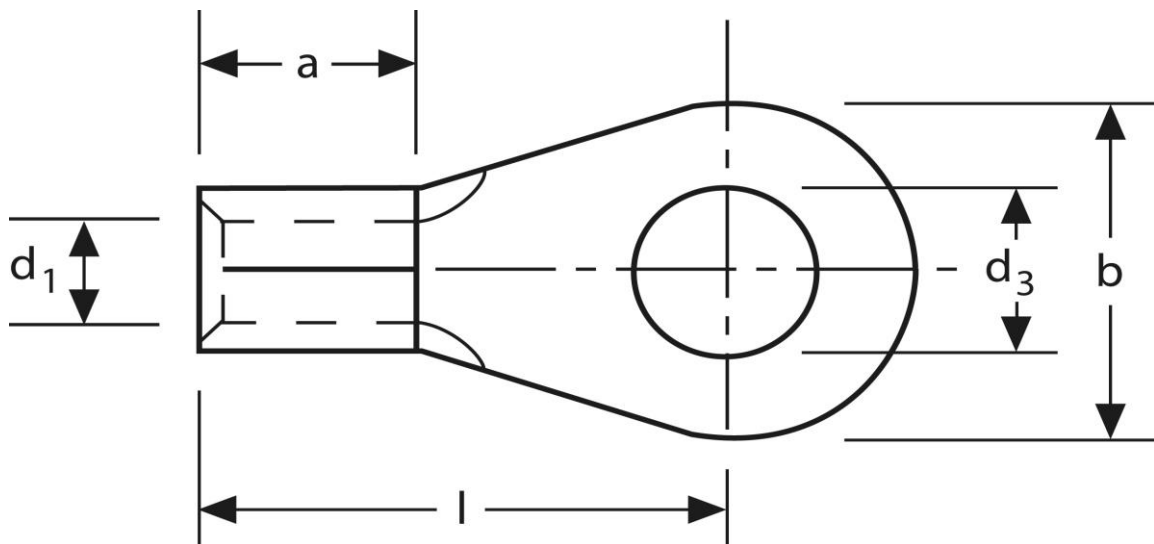
6 mm<sup>2</sup> M 5



Art.Nr.	Werkstoff	Oberfläche		
K303050vn	E-CU	vernickelt	1,60 / 1000	1.000
	<b>d<sub>3</sub></b>	<b>d<sub>1</sub></b>	<b>b</b>	
<b>in mm:</b>	<b>5,3</b>	<b>3,6</b>	<b>10</b>	
	<b>l</b>	<b>a</b>	<b>s</b>	
<b>in mm:</b>	<b>15</b>	<b>6</b>	<b>1,0</b>	

Stand: 22.01.2019

**Solderless terminals**  
 ring-type, nickel plated  
 6 mm<sup>2</sup> M 5



part no.	material	surface		
K303050vn	E-CU	nickel	1,60 / 1000	1.000
	<b>d<sub>3</sub></b>	<b>d<sub>1</sub></b>	<b>b</b>	
<b>in mm:</b>	5,3	3,6	10	
	<b>l</b>	<b>a</b>	<b>s</b>	
<b>in mm:</b>	15	6	1,0	

date: 22.01.2019