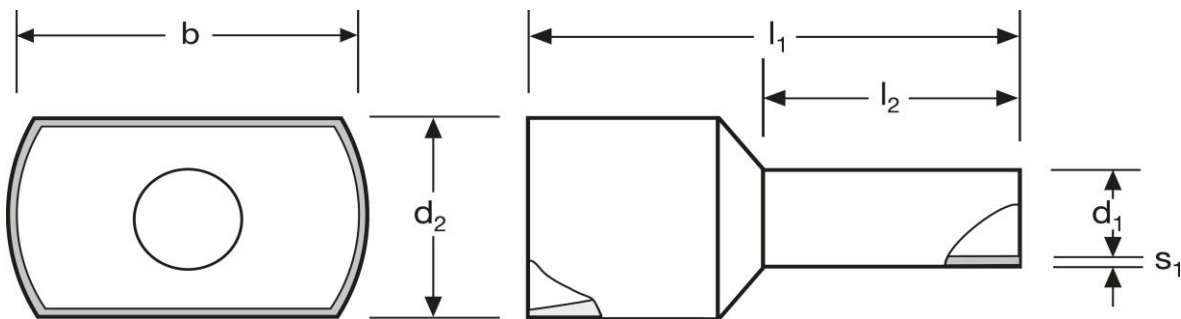



Twin - Aderendhülsen 2 x 0,75 mm² XXL



Material	Isolation	
E-Cu, gal. Sn	PP	500

	l_1	l_2	d_1	s_1
in mm:	24,0	18	1,7	0,15

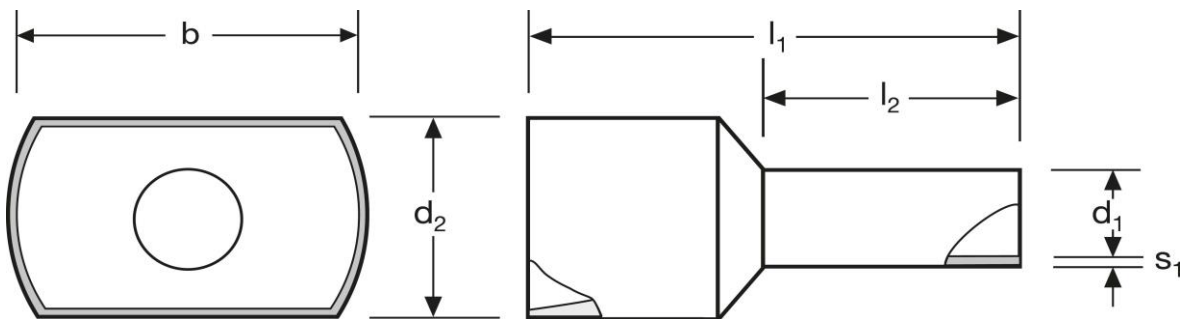
		WE	TM	DIN
d_2	b	A262181	-	-
3,0	5,5	weiß		




Stand: 22.01.2019

Twin cord end - sleeves

2 x 0,75 mm² XXL



material	insulation	
E-Cu, gal. Sn	PP	500

	l_1	l_2	d_1	s_1
in mm:	24,0	18	1,7	0,15

		WE	TM	DIN
d_2	b	A262181	-	-
3,0	5,5	white		



date: 22.01.2019