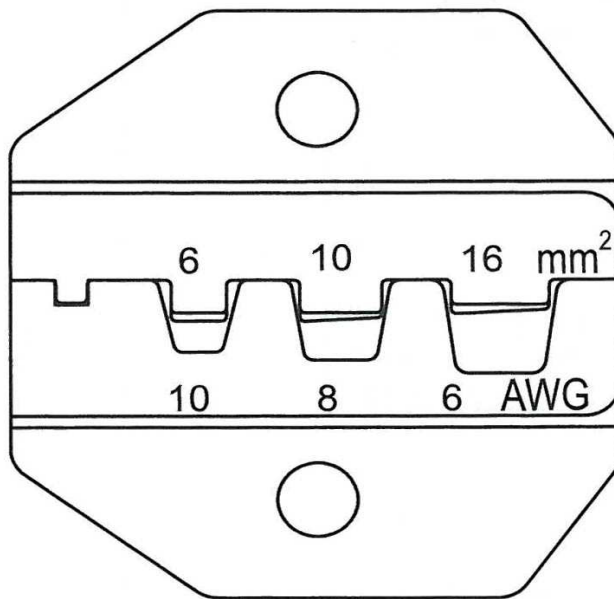
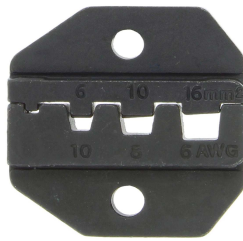




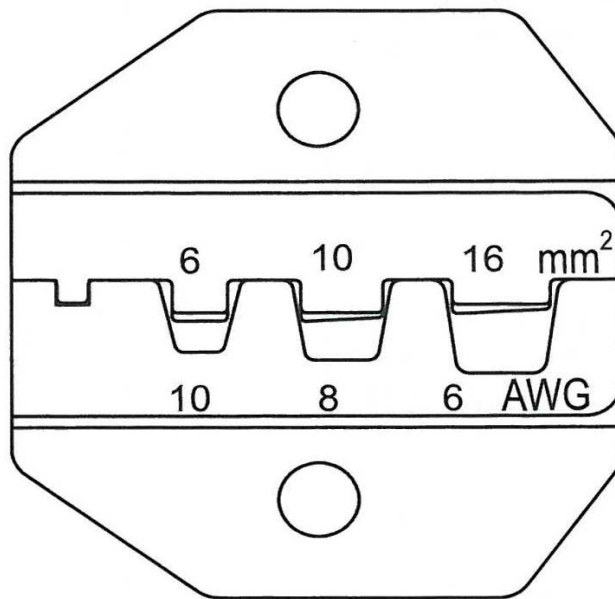
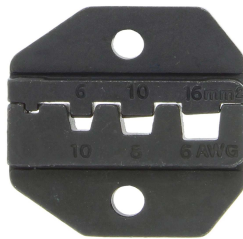
**Presseinsatz für MP 1 und MP 2
für Aderendhülsen**





Art. Nr.	Pressform			
W 9060810	trapez 			1
Crimpstation	1	2	3	
Querschnitt	6 mm² (AWG 10)	10 mm² (AWG 8)	16 mm² (AWG 6)	

Stand: 07.10.2014

Die- sets for MP 1 and MP 2
 for cord- end sleeves



part no.	crimping type			
W 9060810	trapezoid 			1
crimping station	1	2	3	
cross- section	6 mm ² (AWG 10)	10 mm ² (AWG 8)	16 mm ² (AWG 6)	

date: 07.10.2014