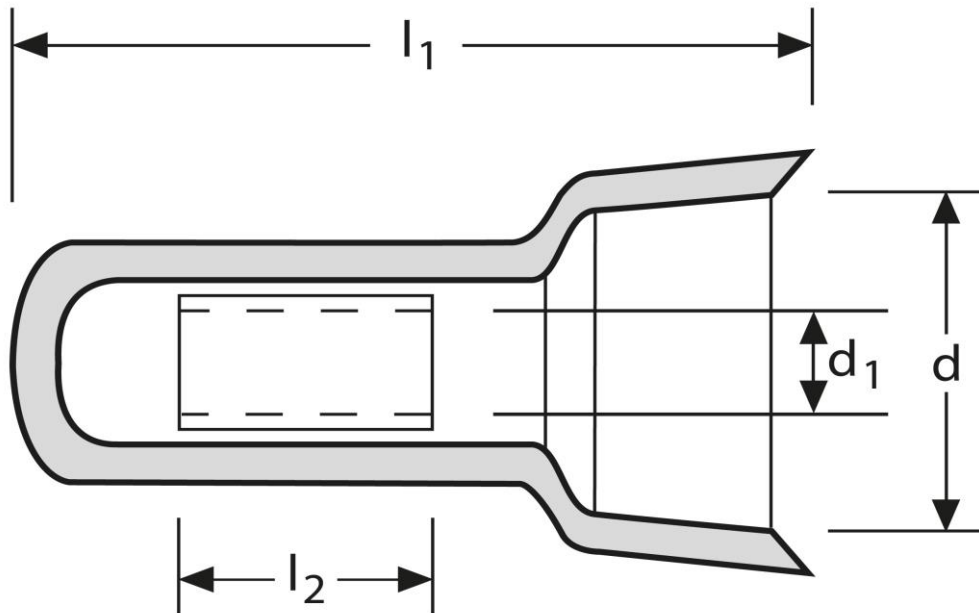



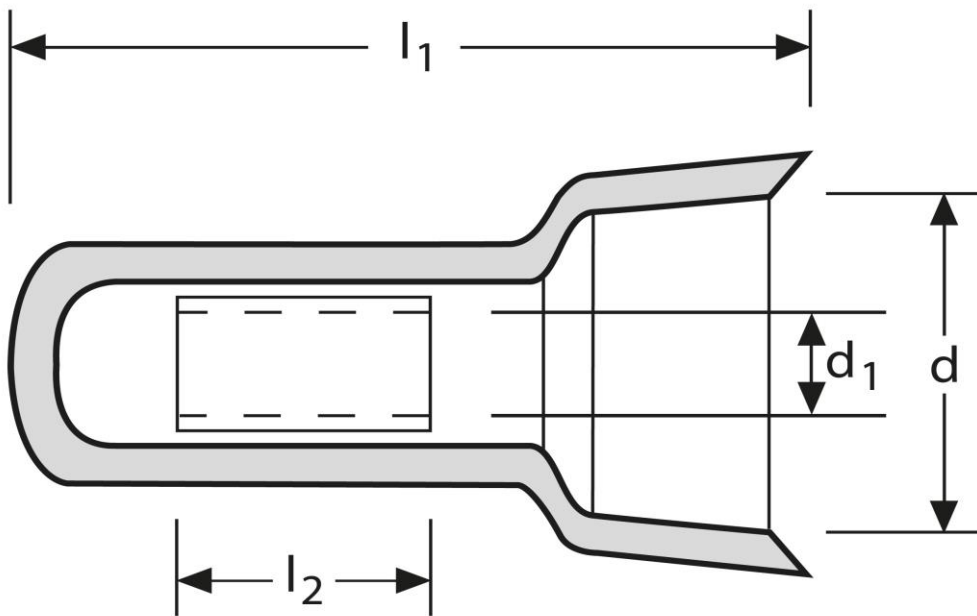
Endverbinder
 2,5 mm²
 weiß




Art.Nr.	Hülse	Isolation	
K 428020N	E-Cu gal. Sn	PA	1.000
	d	d ₁	l ₁
in mm:	8,0	3,1	21,0
			l ₂
			7,0

Stand: 27.06.2016

Closed-end connectors
 2,5 mm²
 white



part no.	sleeve	insulation	
K 428020N	E-Cu gal. Sn	PA	1.000
	d	d ₁	l ₁
in mm:	8	3,1	21,0
			l ₂
			7,0

date: 27.06.2016