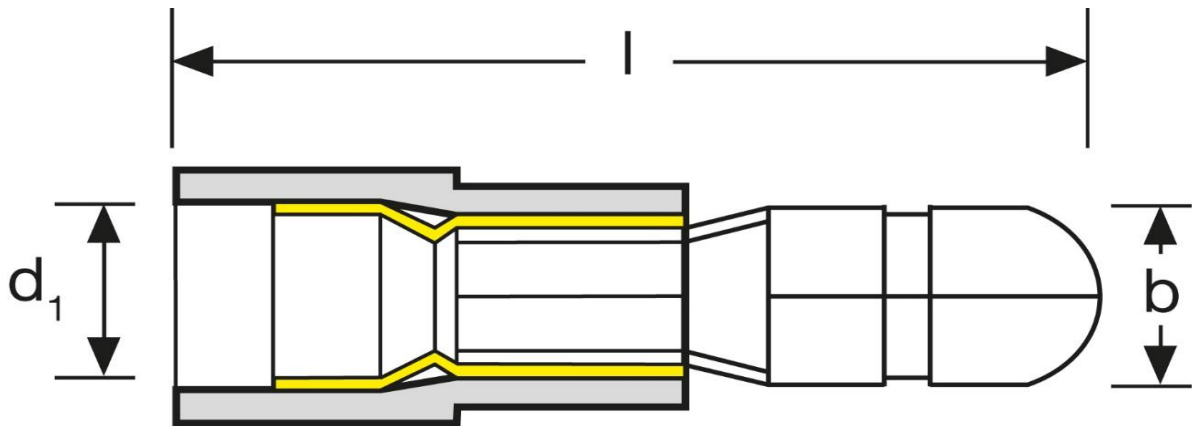



Rundstecker

2,5 mm² - 5 mm

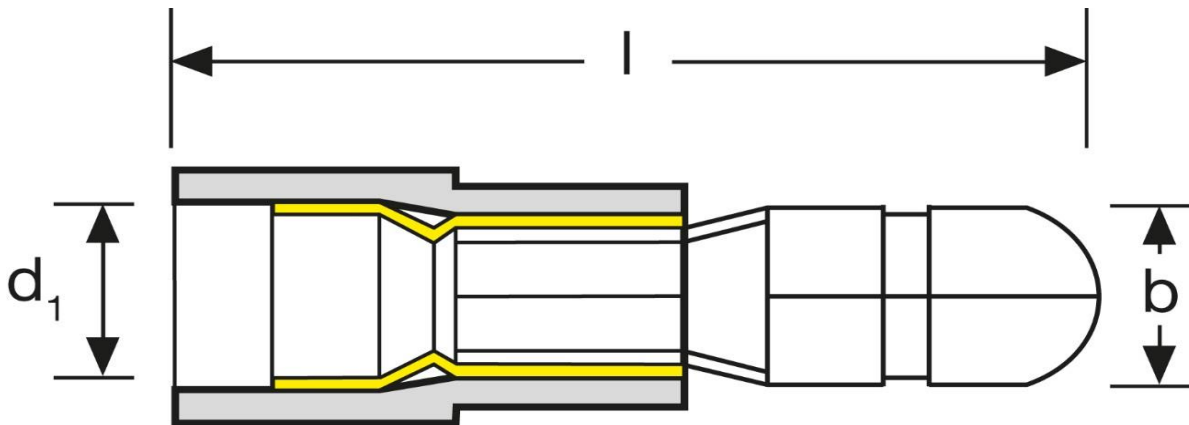



Art.Nr.	Werkstoff	Isolation	
K 424021N	Ms, E-Cu gal. Sn	PA 66	1.000

	l	b	d ₁	s
in mm:	22,5	5,0	5,0	0,4

Stand: 02.03.2017

Bullet male
2,5 mm² - 5 mm



part no.	material	insulation	
K 424021N	Ms, E-Cu gal. Sn	PVC	1.000

	l	b	d ₁	s
in mm:	22,5	5,0	5,0	0,4

date: 02.03.2017