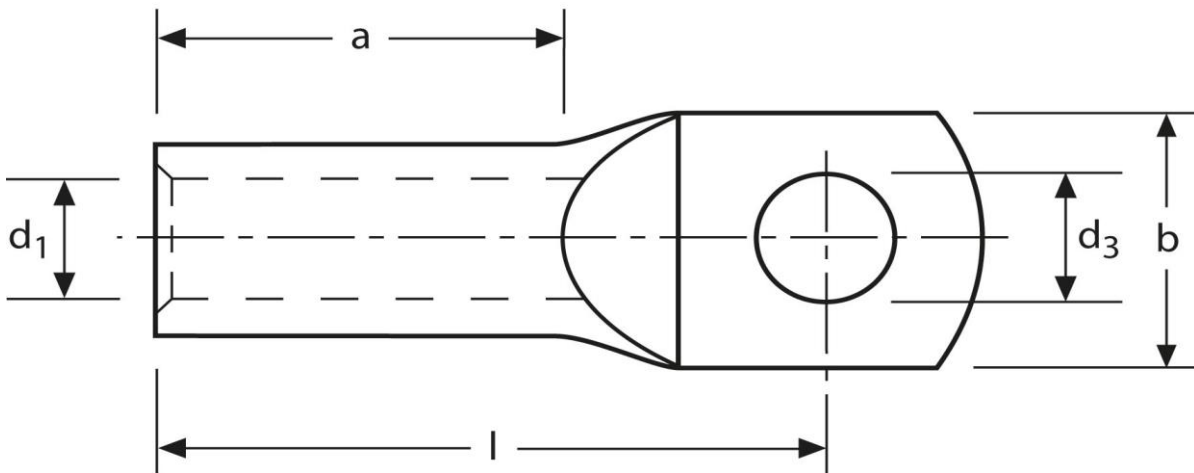


Rohrkabelschuhe

vernickelt

4 mm² M8



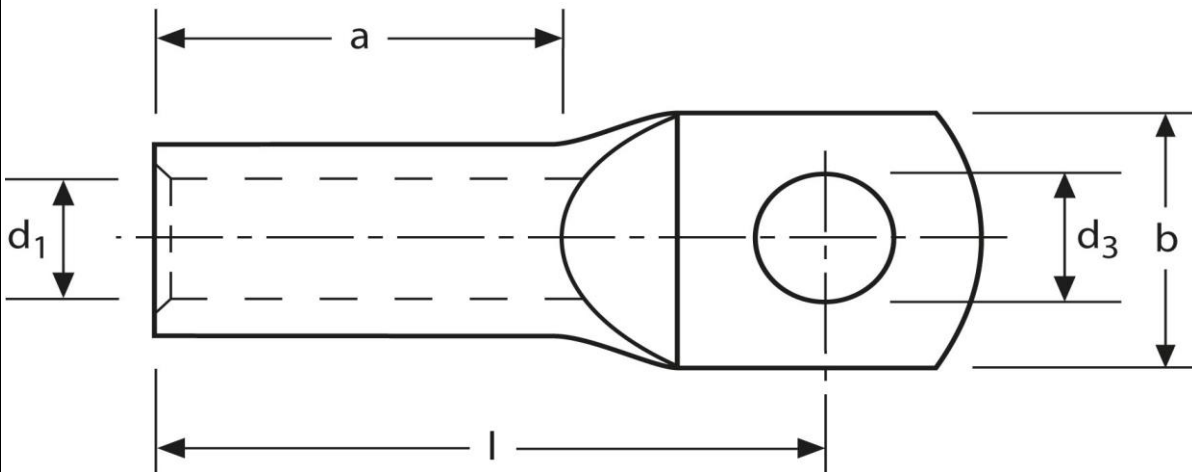
Art.Nr.	Werkstoff	Oberfläche		
K378060vn	E-CU	vernickelt	2,8 / 1000	100
	d₃	d₁	b	
in mm:	8,5	3,0	13,0	
	l	a		
in mm:	22	8		



Stand: 14.07.2015

Tubular cable-lugs

nickel - plated

4 mm² M8



part no.	material	surface		
K378060vn	E-CU	nickel-plated	2,8 / 1000	100
	d₃	d₁	b	
in mm:	8,5	3,0	13,0	
	l	a		
in mm:	22	8		

date: 14.07.2015