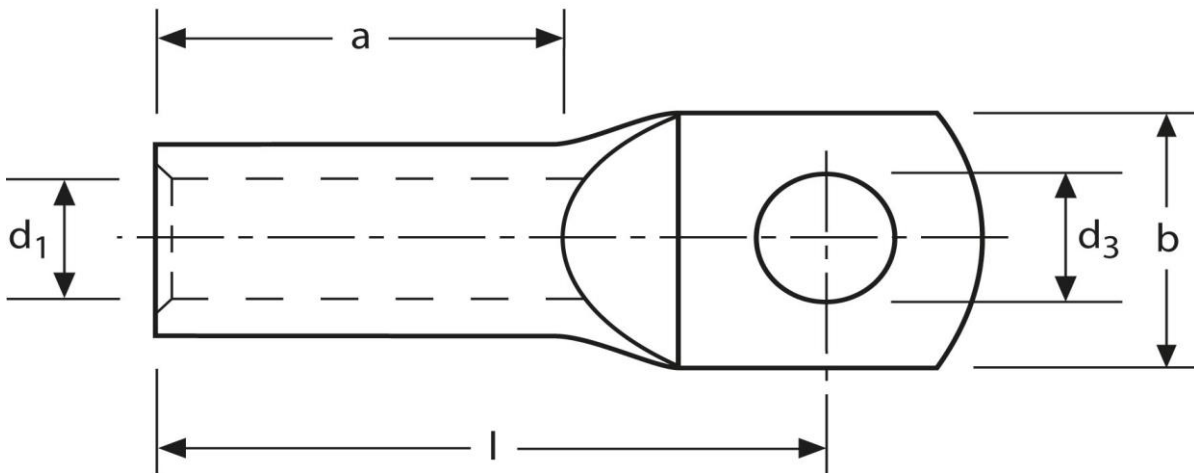


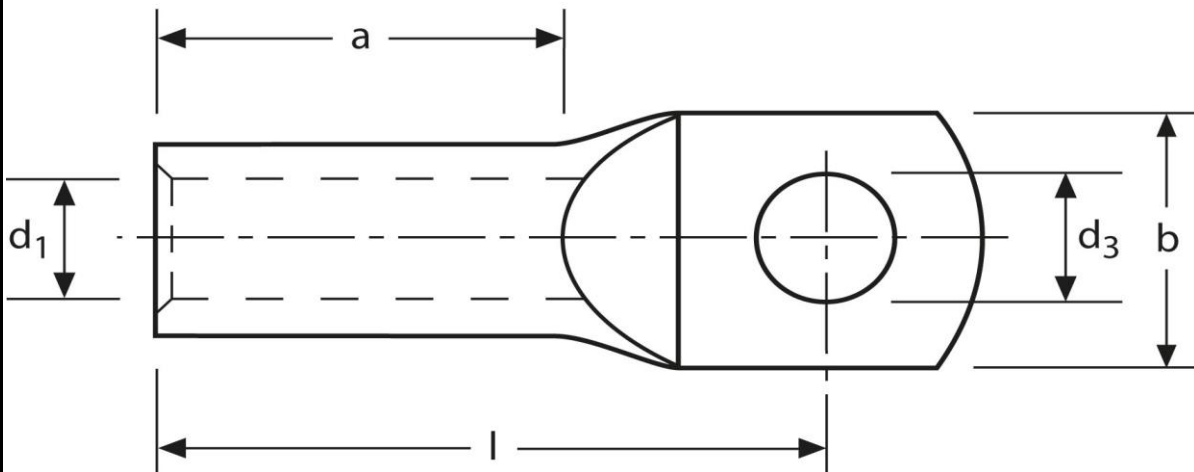
**Rohrkabelschuhe**  
 handelsüblich - UL gelistet  
 10 mm<sup>2</sup> M8



Art.Nr.	Werkstoff	Oberfläche		
K336080.1	E-CU	galv. Sn	5,8/ 1000	100
	<b>d<sub>3</sub></b>	<b>d<sub>1</sub></b>	<b>b</b>	
<b>in mm:</b>	8,5	4,5	15,0	
	<b>l</b>	<b>a</b>		
<b>in mm:</b>	25,0	10		

Stand: 20.02.2019

**Tubular cable-lugs**  
 commercial - UL listed  
 10 mm<sup>2</sup> M8



part no.	material	surface		
K336080.1	E-CU	tin-plated	5,8/ 1000	100
	<b>d<sub>3</sub></b>	<b>d<sub>1</sub></b>	<b>b</b>	
<b>in mm:</b>	8,5	4,5	15,0	
	<b>l</b>	<b>a</b>		
<b>in mm:</b>	25,0	10		

date: 20.02.2019