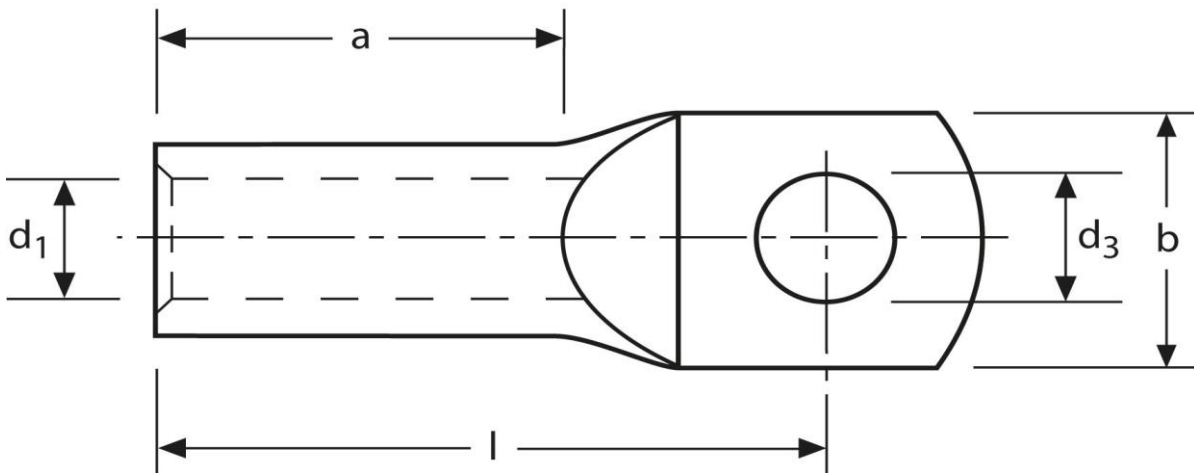


## Rohrkabelschuhe

handelsüblich

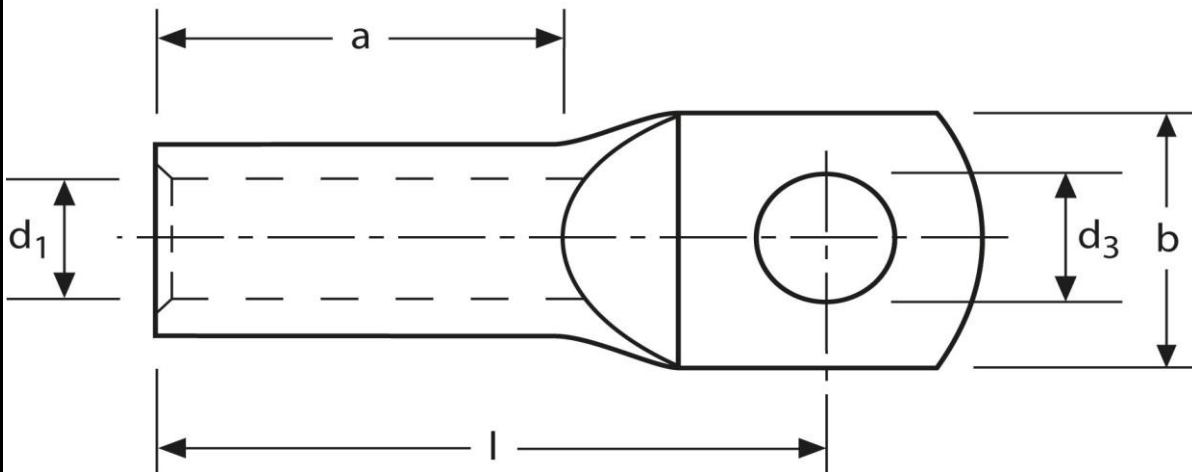
10 mm<sup>2</sup> M4



Art.Nr.	Werkstoff	Oberfläche		
K336040	E-CU	galv. Sn	6,0 / 1000	100
	<b>d<sub>3</sub></b>	<b>d<sub>1</sub></b>	<b>b</b>	
<b>in mm:</b>	4,3	4,5	12,0	
	<b>l</b>	<b>a</b>		
<b>in mm:</b>	22,0	10		

Stand: 21.01.2019

**Tubular cable-lugs**  
commercial  
10 mm<sup>2</sup> M4



part no.	material	surface		
K336040	E-CU	tin-plated	6,0 / 1000	100
	<b>d<sub>3</sub></b>	<b>d<sub>1</sub></b>	<b>b</b>	
<b>in mm:</b>	4,3	4,5	12,0	
	<b>l</b>	<b>a</b>		
<b>in mm:</b>	22	10		

date: 21.01.2019