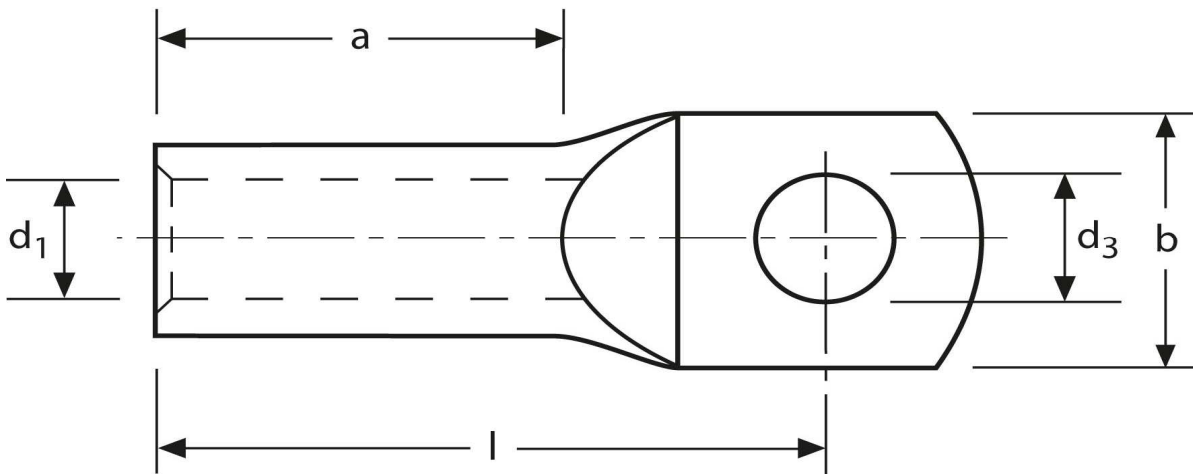


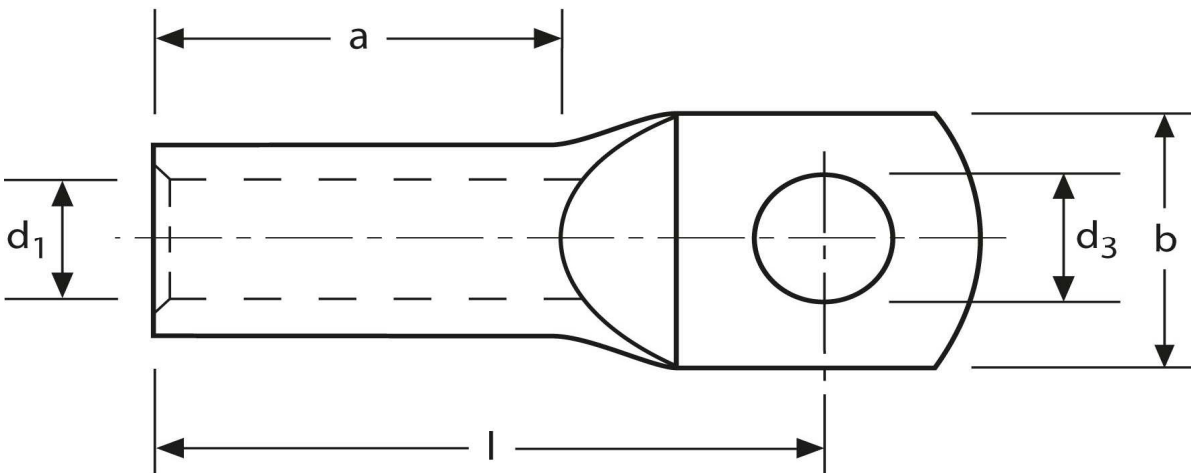
Rohrkabelschuhe
 handelsüblich
 6 mm² M5



| Art.Nr. | Werkstoff | Oberfläche | | |
|---------------|----------------------|----------------------|------------|-----|
| K335050 | E-CU | galv. Sn | 5,0 / 1000 | 100 |
| | d₃ | d₁ | b | |
| in mm: | 5,5 | 3,5 | 11,4 | |
| | l | a | | |
| in mm: | 21 | 9 | | |

Stand: 09.10.2014

Tubular cable-lugs
 commercial
 6 mm² M5



| part no. | material | surface | | |
|---------------|----------------------|----------------------|------------|-----|
| K335050 | E-CU | tin-plated | 5,0 / 1000 | 100 |
| | d₃ | d₁ | b | |
| in mm: | 5,5 | 3,5 | 11,4 | |
| | l | a | | |
| in mm: | 21 | 9 | | |

date: 09.10.2014