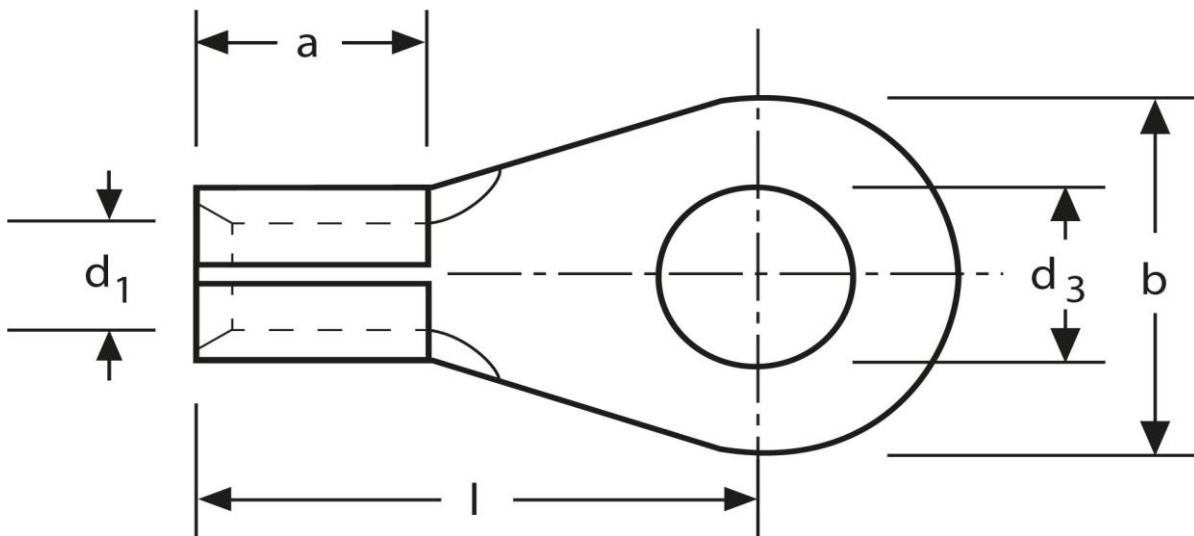


Lötkaabelschuh

Ringform

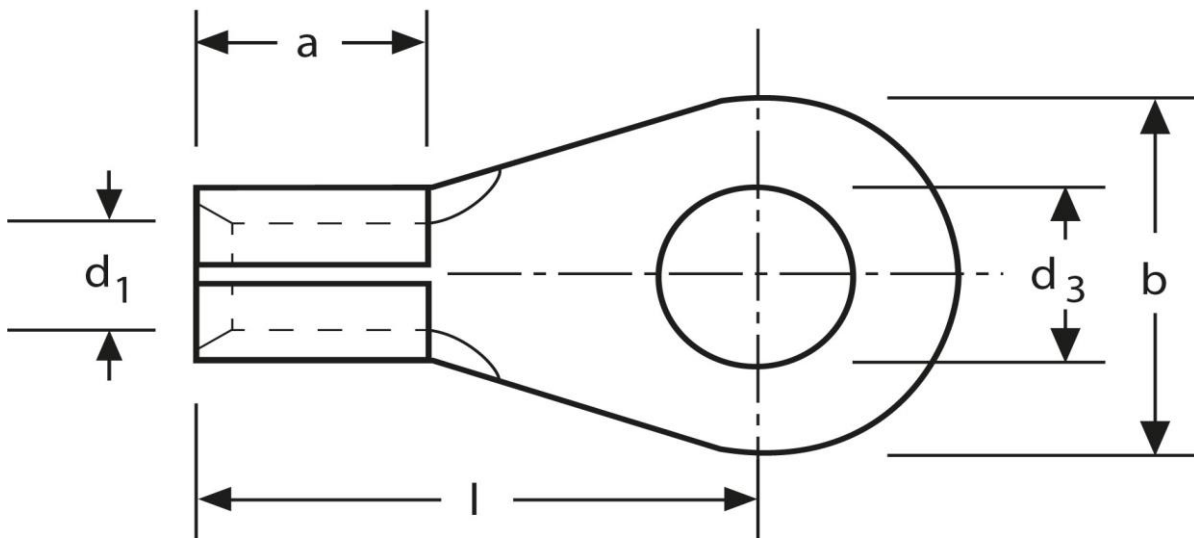
16 mm² M 10



| Artikel Nr. | Werkstoff | Oberfläche | | |
|-------------|-----------|----------------|----------------|-----------|
| K 3105100 | Kupfer | galv. Sn | 7,60 / 1000 | 250 |
| | | d ₃ | d ₁ | b |
| in mm: | | 10,5 | 5,4 | 19 |
| | | l | a | Nenngröße |
| in mm: | | 29,0 | 11,5 | 10 - 5,4 |

Stand: 16.05.2019

Solder tags
ring type
16 mm² M 10



| | | | | |
|-----------------|----------------------|----------------------|---------------------|-----|
| part no. | material | surface | | |
| K 3105100 | copper | tin-plated | 7,60 / 1000 | 250 |
| | d₃ | d₁ | b | |
| in mm: | 10,5 | 5,4 | 19 | |
| | l | a | nominal size | |
| in mm: | 29,0 | 11,5 | 10 - 5,4 | |

date: 16.05.2019