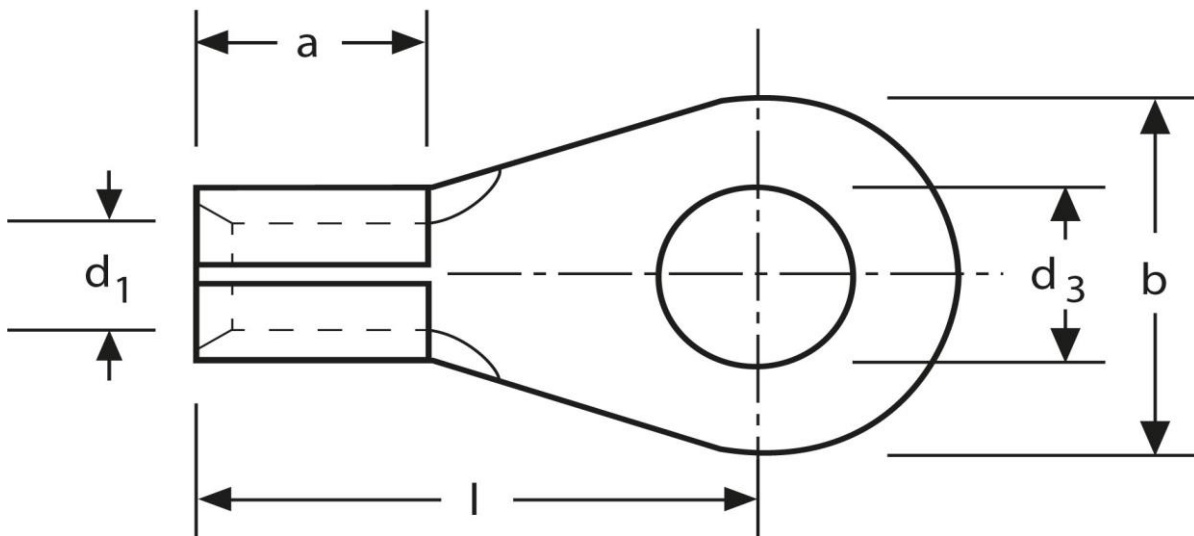


Lötkaabelschuh

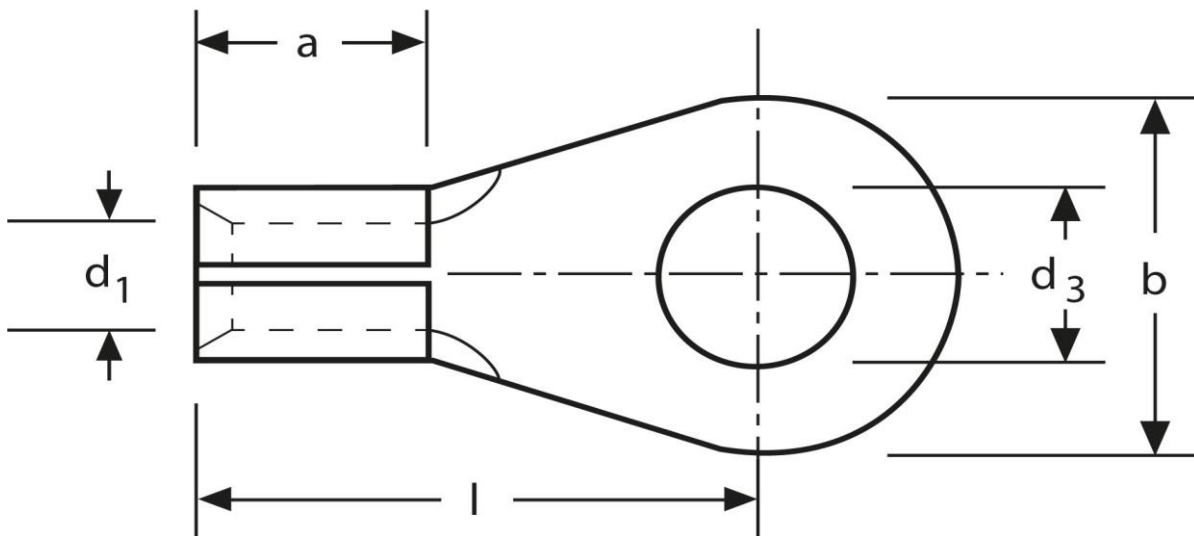
Ringform
 10 mm² M 8

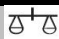



| | | | | |
|--------------------|----------------------|----------------------|------------------|-----|
| Artikel Nr. | Werkstoff | Oberfläche | | |
| K 3104080 | Kupfer | galv. Sn | 4,18 / 1000 | 500 |
| | d₃ | d₁ | b | |
| in mm: | 8,4 | 4,3 | 15 | |
| | l | a | Nenngröße | |
| in mm: | 24,0 | 10,0 | 8 - 4,3 | |

Stand: 16.05.2019

Solder tags
 ring type
 10 mm² M 8



| | | | | |
|-----------------|----------------------|----------------------|--|---|
| part no. | material | surface |  |  |
| K 3104080 | copper | tin-plated | 4,18 / 1000 | 500 |
| | d₃ | d₁ | b | |
| in mm: | 8,4 | 4,3 | 15 | |
| | l | a | nominal size | |
| in mm: | 24,0 | 10,0 | 8 - 4,3 | |

date: 16.05.2019