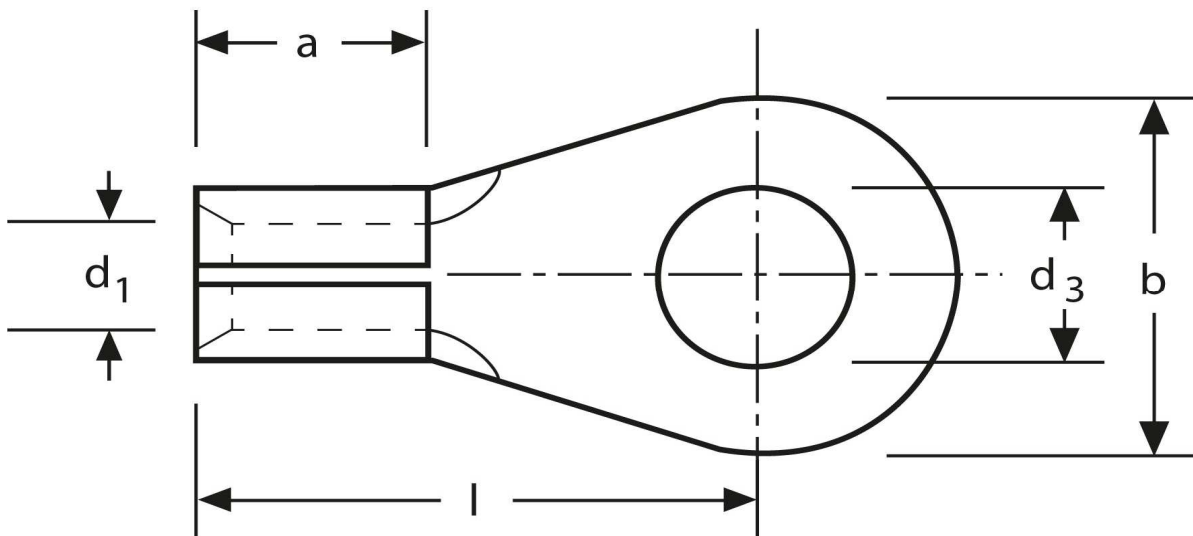


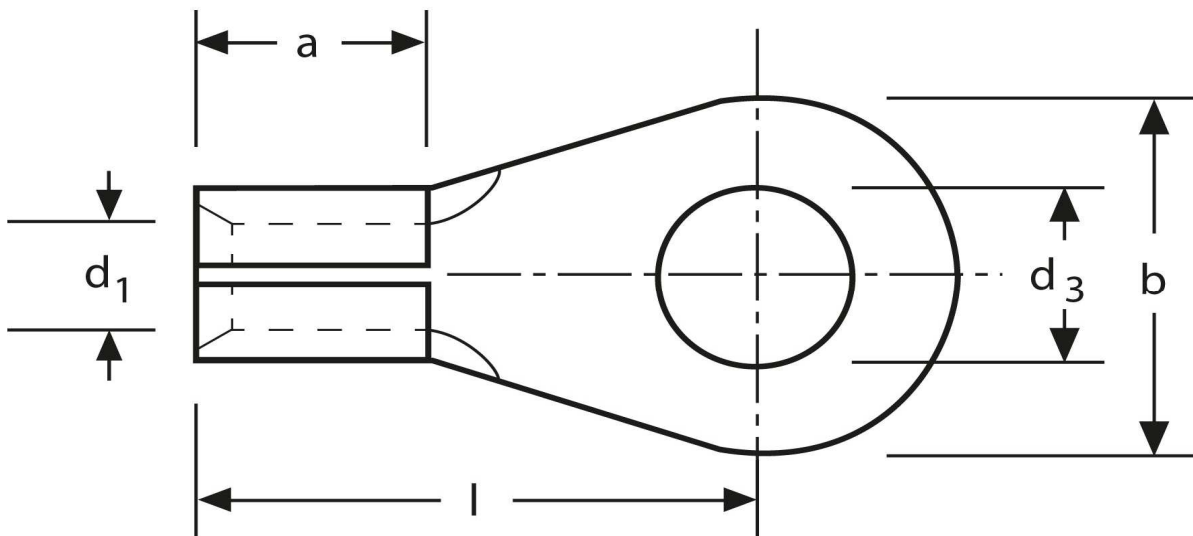
**Lötkaabelschuh**  
Ringform  
10 mm<sup>2</sup> M 6



|                    |                      |                      |                  |     |
|--------------------|----------------------|----------------------|------------------|-----|
| <b>Artikel Nr.</b> | <b>Werkstoff</b>     | <b>Oberfläche</b>    |                  |     |
| K 3104060          | Messing              | galv. Sn             | 3,10 / 1000      | 500 |
|                    | <b>d<sub>3</sub></b> | <b>d<sub>1</sub></b> | <b>b</b>         |     |
| <b>in mm:</b>      | 6,5                  | 4,3                  | 11               |     |
|                    | <b>l</b>             | <b>a</b>             | <b>Nenngröße</b> |     |
| <b>in mm:</b>      | 21,0                 | 10,0                 | 6 - 4,3          |     |

Stand: 14.07.2014

**Solder tags**  
ring type  
10 mm<sup>2</sup> M 6



| part no.  | material             | surface              |                     |     |
|-----------|----------------------|----------------------|---------------------|-----|
| K 3104060 | brass                | tin-plated           | 3,10 / 1000         | 500 |
|           | <b>d<sub>3</sub></b> | <b>d<sub>1</sub></b> | <b>b</b>            |     |
| in mm:    | 6,5                  | 4,3                  | 11                  |     |
|           | <b>l</b>             | <b>a</b>             | <b>nominal size</b> |     |
| in mm:    | 21,0                 | 10,0                 | 6 - 4,3             |     |

date: 14.07.2014