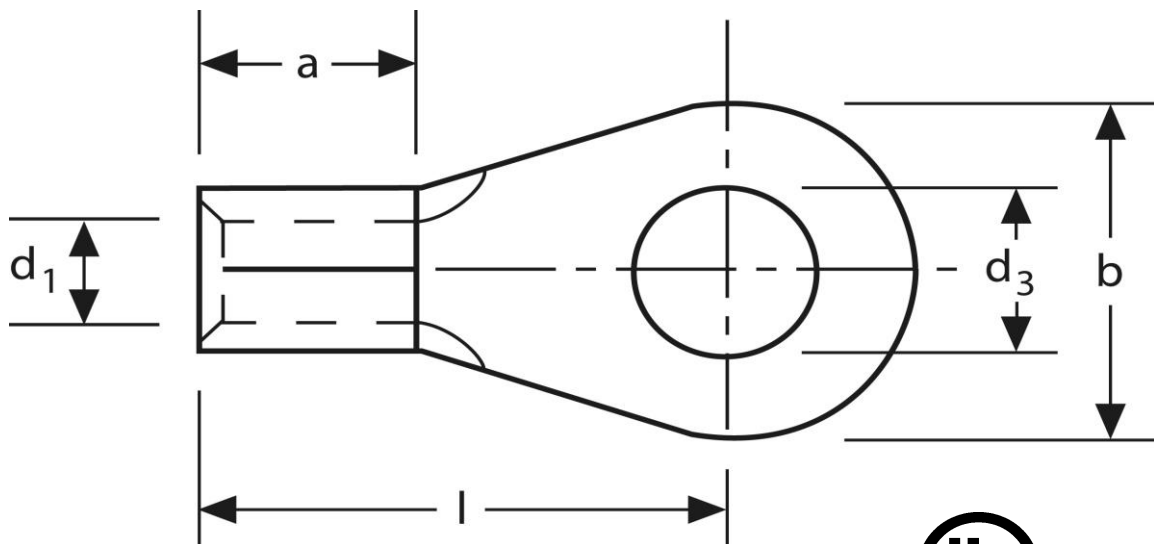
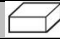


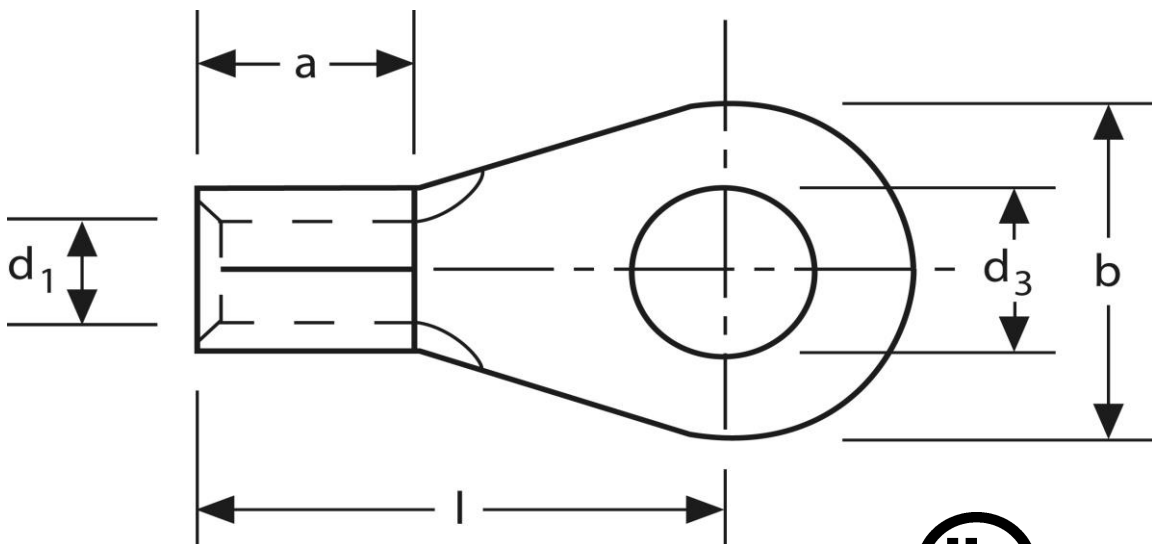
Quetschkabelschuhe
Ringform
AWG 6 (~ 16 mm²) M 8




| Art.Nr. | Werkstoff | Oberfläche |  |
|------------|----------------|----------------|--|
| K 305080.2 | E-CU | galv. Sn | 100 |
| | d ₃ | d ₁ | b |
| in mm: | 8,4 | 5,8 | 16 |
| | l | a | s |
| in mm: | 25,0 | 10,5 | 1,5 |

Stand: 08.01.2018

Solderless terminals
 ring-type
 AWG 6 (~ 16 mm²) M 8



| part no. | material | surface |  |
|------------|----------------|----------------|--|
| K 305080.2 | E-CU | tin-plated | 100 |
| | d ₃ | d ₁ | b |
| in mm: | 8,4 | 5,8 | 16 |
| | l | a | s |
| in mm: | 25,0 | 10,5 | 1,5 |

date: 08.01.2018