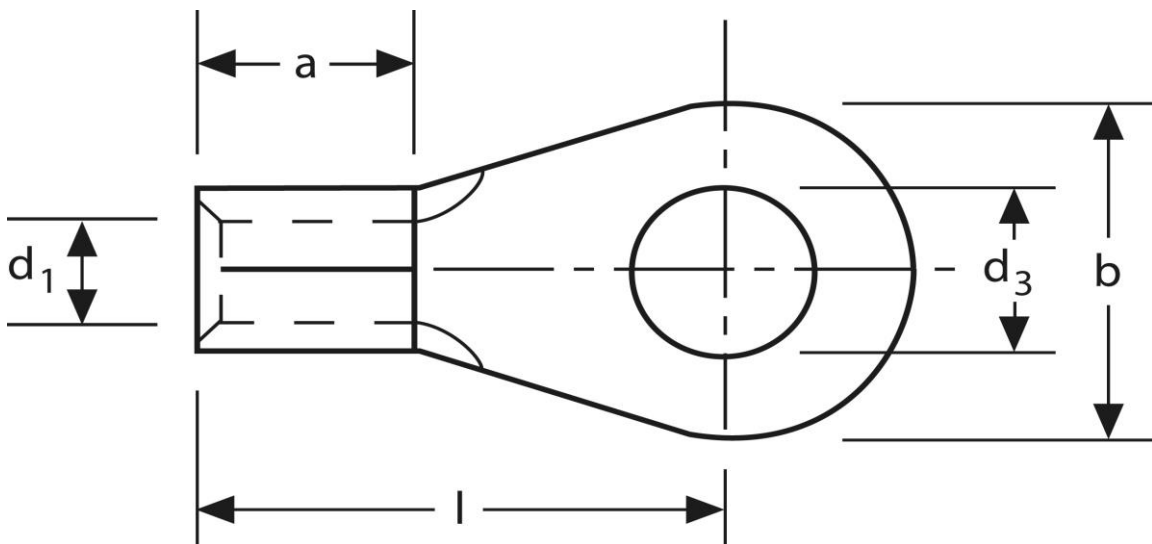


Quetschkabelschuhe

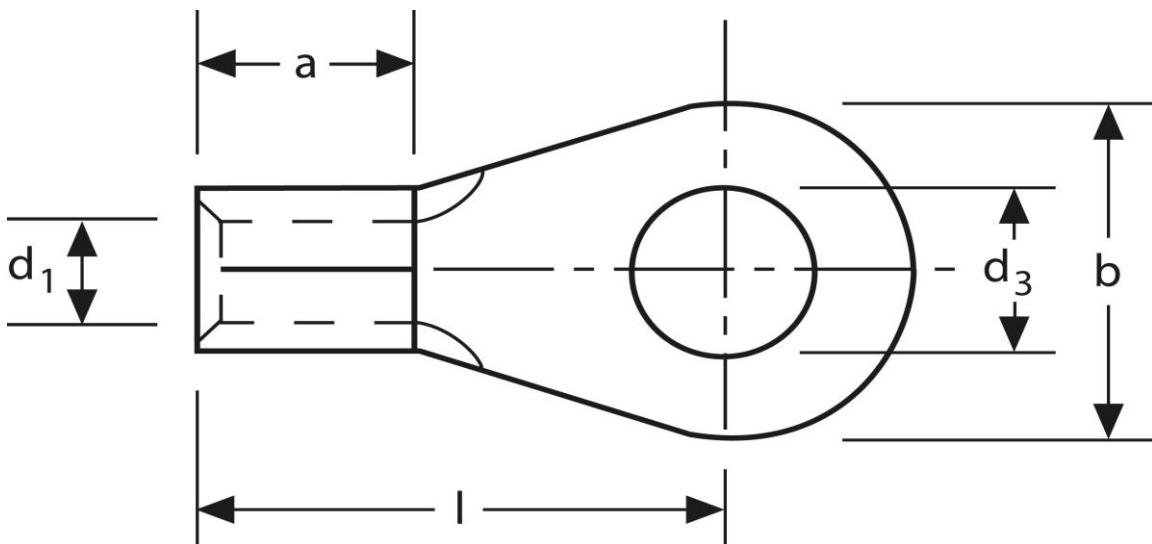
Ringform
16 mm² M 8



| Art.Nr. | Werkstoff | Oberfläche | | |
|------------|----------------|----------------|-------------|-----|
| K 305080.1 | E-CU | galv. Sn | 4,30 / 1000 | 500 |
| | d ₃ | d ₁ | b | |
| in mm: | 8,4 | 5,8 | 14 | |
| | l | a | s | |
| in mm: | 22 | 10 | 1,2 | |

Stand: 25.01.2019

Solderless terminals
ring-type
16 mm² M 8



| part no. | material | surface | | |
|---------------|----------------------|----------------------|-------------|-----|
| K 305080.1 | E-CU | tin-plated | 4,30 / 1000 | 500 |
| | d₃ | d₁ | b | |
| in mm: | 8,4 | 5,8 | 14 | |
| | l | a | s | |
| in mm: | 22 | 10 | 1,2 | |

date: 25.01.2019