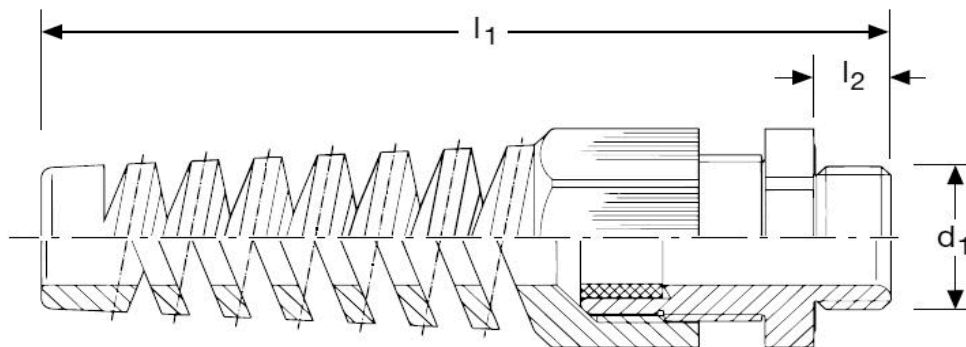




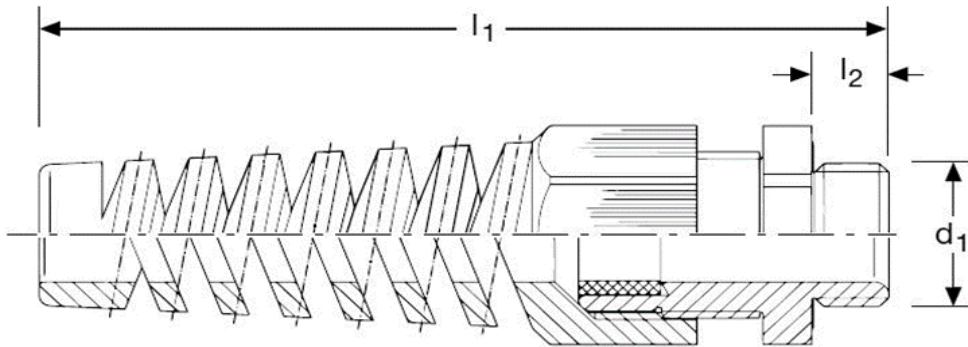
## Kabelverschraubung G50 mit flexibler Biegeschutzspirale PG 11 L





<b>Art. Nr.</b>	<b>Material</b>	<b>Nenngröße</b>	
G850111.2	Polyamid	PG 11 L	100
	<b>d<sub>1</sub></b>	<b>l<sub>1</sub></b>	<b>l<sub>2</sub></b>
<b>in mm:</b>	18,6	93,0	15
<b>Farbe</b>	<b>Kabel Ø</b>		
schwarz RAL9005	5 - 10	22	

Stand: 28.10.2019

**cable-glands G50  
with flexible spiral nozzle  
PG 11 L**



<b>part no.</b>	<b>material</b>	<b>nom. size</b>	
<b>G850111.2</b>	<b>polyamide</b>	<b>PG 11 L</b>	<b>100</b>
	<b>d<sub>1</sub></b>	<b>l<sub>1</sub></b>	<b>l<sub>2</sub></b>
<b>in mm:</b>	<b>18,6</b>	<b>93,0</b>	<b>15,0</b>
<b>colour</b>	<b>cable Ø</b>		
<b>black - RAL 9005</b>	<b>5 - 10</b>	<b>22</b>	

date: 28.10.2019