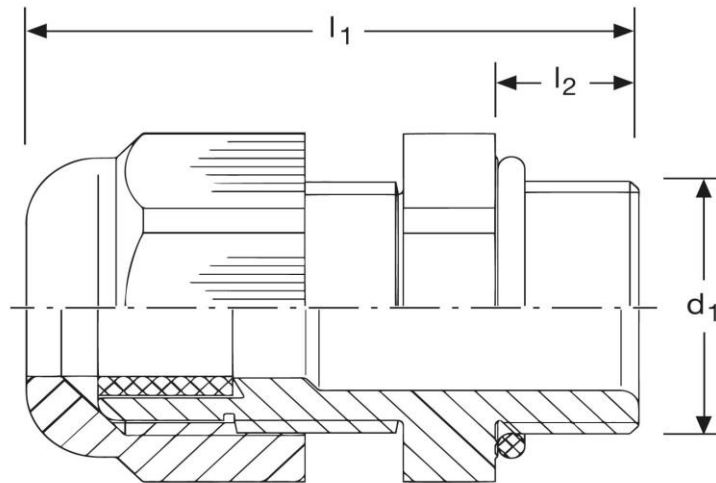


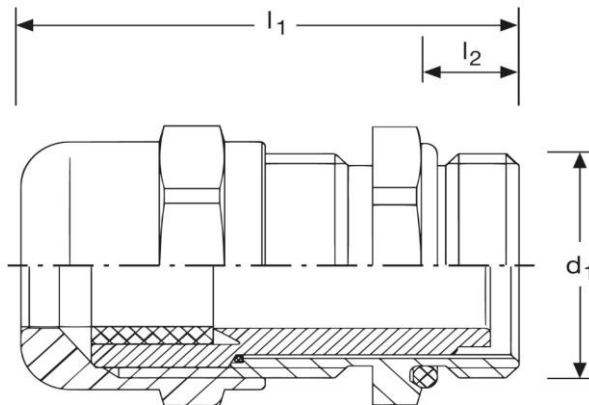
Kabelverschraubung G20 mit Zugentlastung
metrisches Anschlussgewinde
M63 x 1,5 N



| Art. Nr. | Material | Dichteinsatz | Kabel $\times \text{Ø}$ | |
|--------------------|----------------|--------------------|-------------------------|----|
| G 821630.2 | PA6 V-2 | CR/NBR | 32 -42 mm | 5 |
| | d ₁ | l ₁ | l ₂ | |
| in mm: | 63 | 65,5 | 12 | 68 |
| Farbe | | Temperaturbereich | Schutzart | |
| schwarz - RAL 9005 | | - 20°C bis + 100°C | IP 68 | |

Stand: 06.12.2019

Cable - glands G20 with pull relief
metric thread
M63 x 1,5 N



| | | | | |
|------------------|----------------------|--------------------------|----------------------------|----|
| part no. | material | sealing | cable \varnothing | |
| G 821630.2 | PA6 V-2 | CR/NBR | 32 -42 mm | 5 |
| | d₁ | l₁ | l₂ | |
| in mm: | 63 | 65,5 | 12 | 68 |
| colour | | temperature range | prot. class | |
| black - RAL 9005 | | - 20°C up to + 100°C | IP 68 | |

date: 06.12.2019