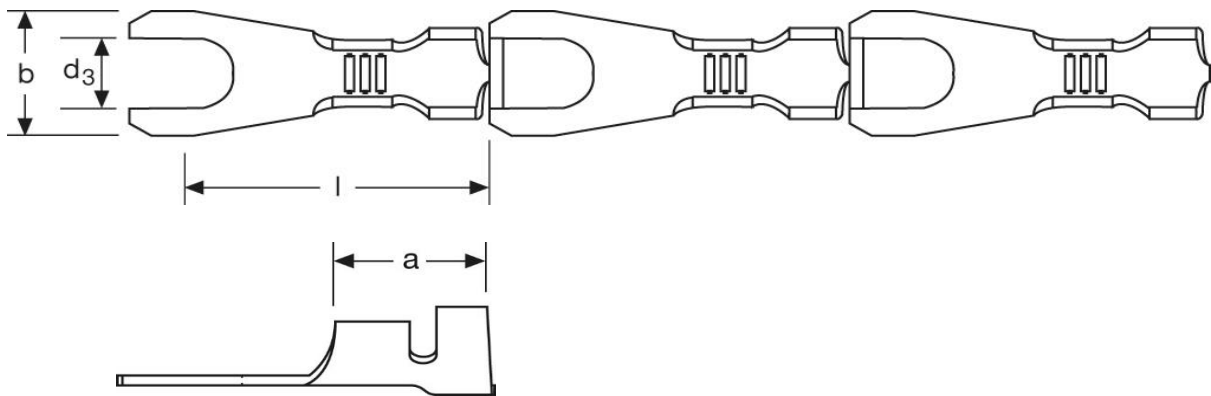


Kralen-Kabelschuhe Bandware

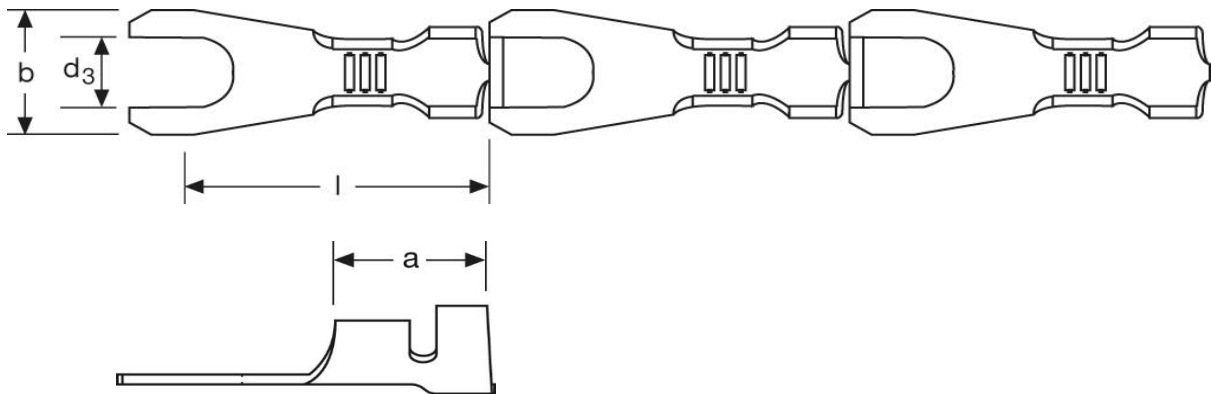
Gabelform
2,5 mm² - M 5



| Art.Nr. | Werkstoff | Oberfläche | $\frac{\Delta}{\Delta}$ | |
|---------------|-----------|------------|-------------------------|-------|
| FB 53205112 | Messing | galv. Sn | 0,95/1000 | 5.000 |
| | l | a | d₃ | |
| in mm: | 17,25 | 8,75 | 5,3 | |
| | b | s | | |
| in mm: | 9,5 | 0,6 | | |

Stand: 16.07.2017

Claw terminals on reel
fork-type
2,5 mm² - M 5



| | | | | |
|-----------------|----------------------|----------------|----------------------|-------|
| part no. | material | surface | | |
| FB 53205112 | brass | tin-plated | 0,95/1000 | 5.000 |
| | l₁ | a | d₃ | |
| in mm: | 17,25 | 8,75 | 5,3 | |
| | b | s | | |
| in mm: | 9,5 | 0,6 | | |

date: 16.10.2017