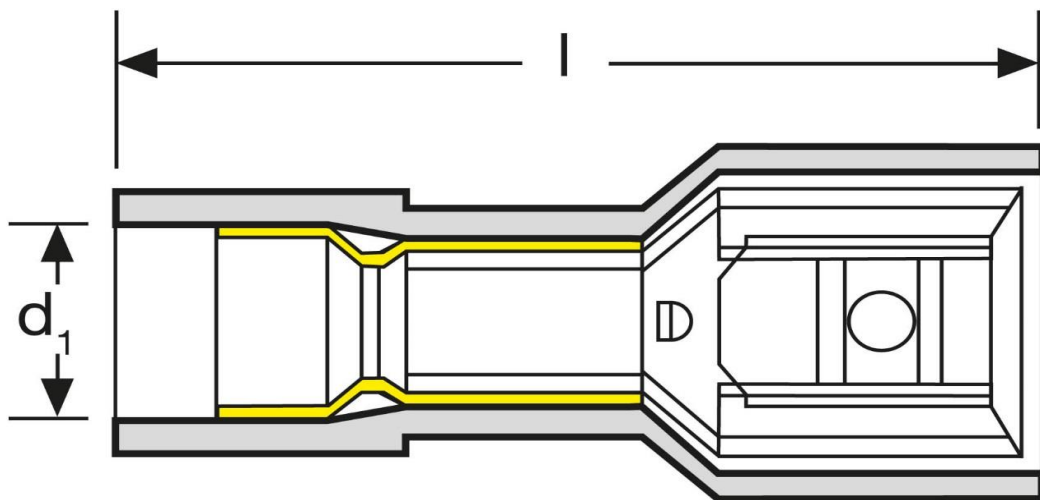
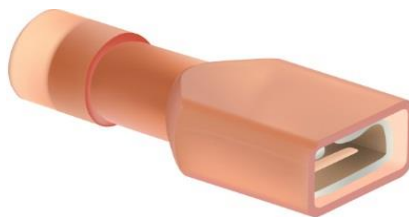



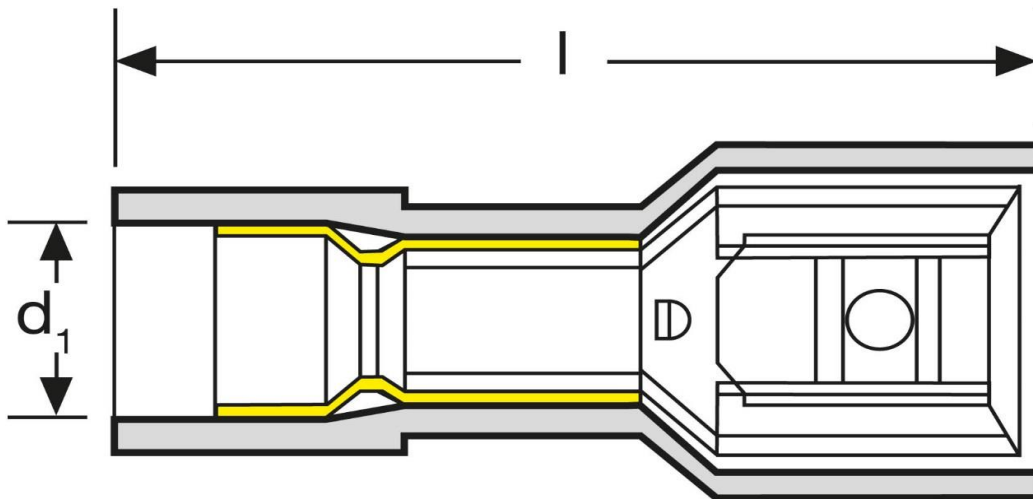
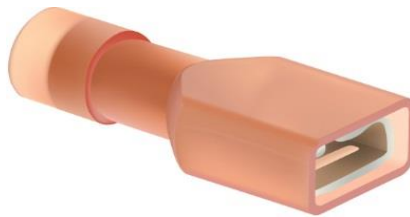
Flachsteckhülsen
vollisoliert
1,5 mm²
rot




| | | | | |
|----------------|------------------|----------------------|---|-------------------|
| Art.Nr. | Werkstoff | Isolation |  | |
| F 610488N | Ms, E-Cu gal. Sn | PA transp. | 1.000 | |
| | l | d₁ | s | Steckgröße |
| in mm: | 19,5 | 4,3 | 0,4 | 4,8 - 0,8 |

Stand: 10.01.2016

Female disonnects
fully insulate
1,5 mm²
red



| | | | | | |
|---------------|-----------------|------------------|----------------------|---|-----------------|
| | part no. | material | insulation |  | |
| | F 610488N | Ms, E-Cu gal. Sn | PA transp. | 1.000 | |
| | | l | d₁ | s | tab-size |
| in mm: | | 19,5 | 4,3 | 0,400 | 4,8 - 0,8 |

date: 10.01.2016