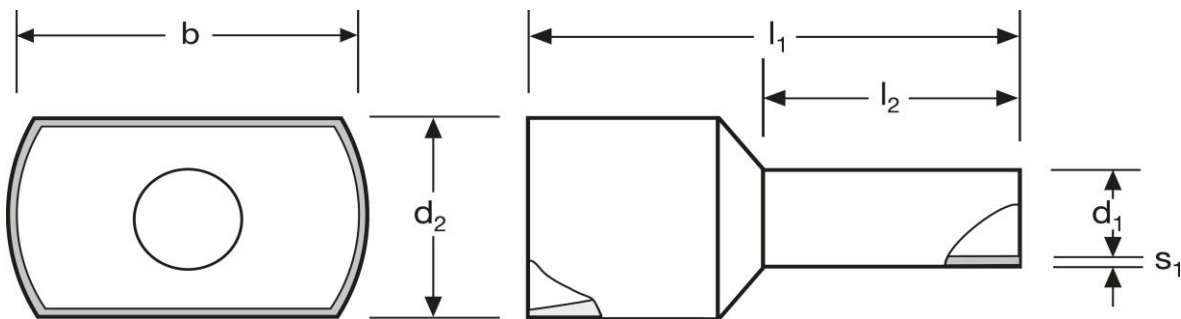
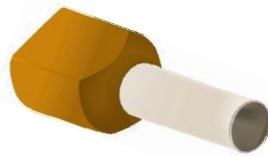






Twin - Aderendhülsen 2 x 10 mm² N



Material	Isolation	
E-Cu, gal. Sn	PP	100

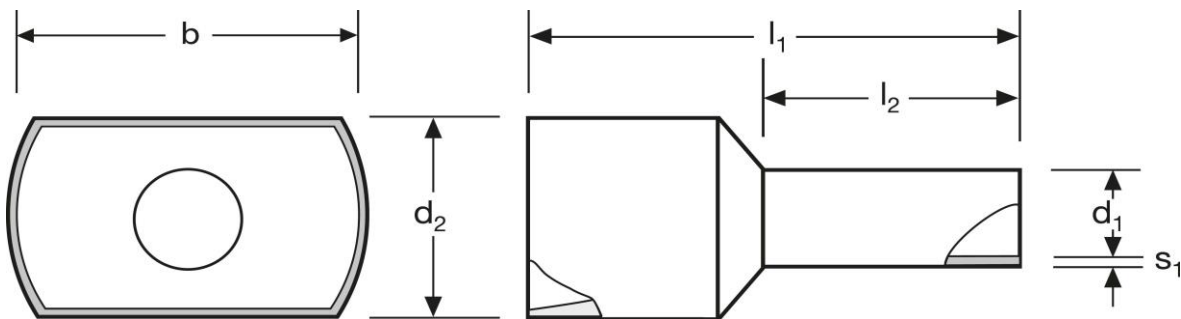
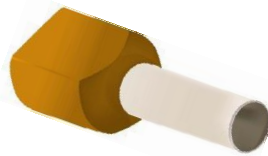
	l_1	l_2	d_1	s_1
in mm:	24,0	12,0	5,8	0,2

		WE	TM	DIN
d_2	b	A268141M2	A268142M2	A268143M2
7,6	13,4	elfenbein 	braun 	rot 

Stand: 22.01.2019

Twin cord end - sleeves

2 x 10 mm² N



material	insulation	
E-Cu, gal. Sn	PP	100

	l_1	l_2	d_1	s_1
in mm:	24,0	12,0	5,8	0,2

		WE	TM	DIN
d_2	b	A268141M2	A268142M2	A268143M2
7,6	13,4	ivory 	brown 	red

date: 22.01.2019