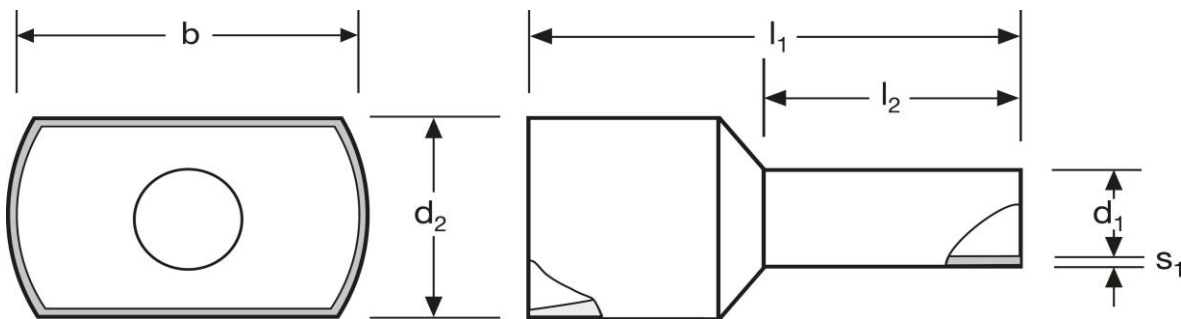
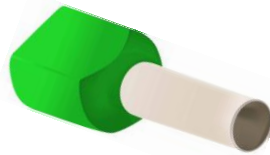


Twin - Aderendhülsen 2 x 6 mm² N

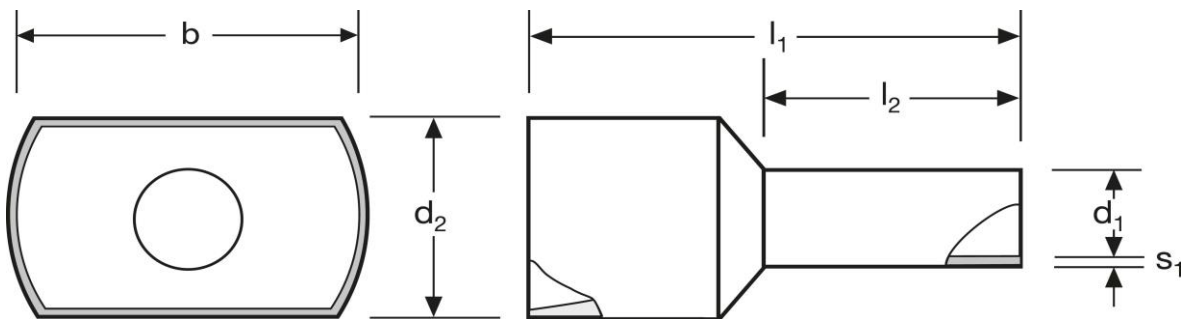
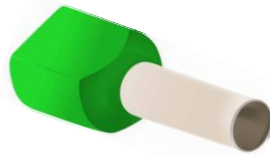


		Material	Isolation		
		E-Cu, gal. Sn	PA	0,637 / 1000	100
		l ₁	l ₂	d ₁	s ₁
in mm:		26,1	14	4,9	0,2
		WE	TM	DIN	
d ₂	b	A 267141	A 267142	A 267143	
6,0	9,5	schwarz	grün	gelb	

Stand: 08.11.2016

Twin cord end - sleeves

2 x 6 mm² N



material	insulation		
E-Cu, gal. Sn	PA	0,637 / 1000	100

	l_1	l_2	d_1	s_1
in mm:	26,1	14	4,9	0,2

	d_2	b	WE	TM	DIN
	6,0	9,5	A 267141	A 267142	A 267143
			black	green	yellow

date: 08.11.2016