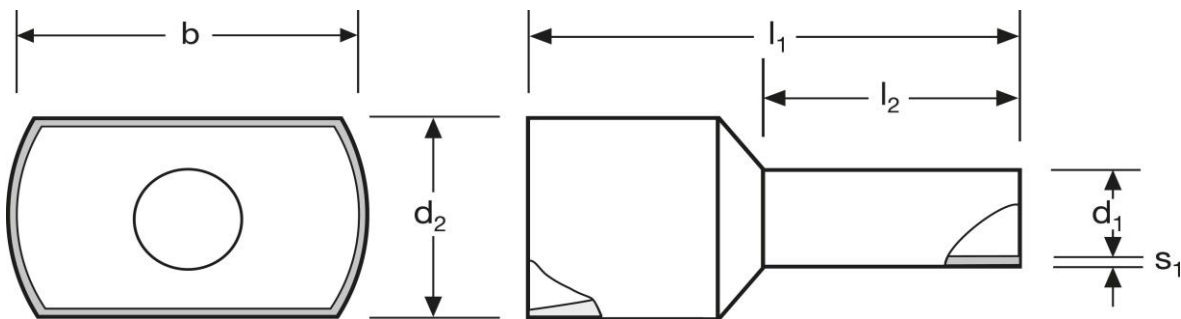
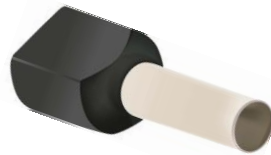


Twin - Aderendhülsen 2 x 6 mm² N



Material	Isolation		
E-Cu, gal. Sn	PP	0,637 / 1000	100

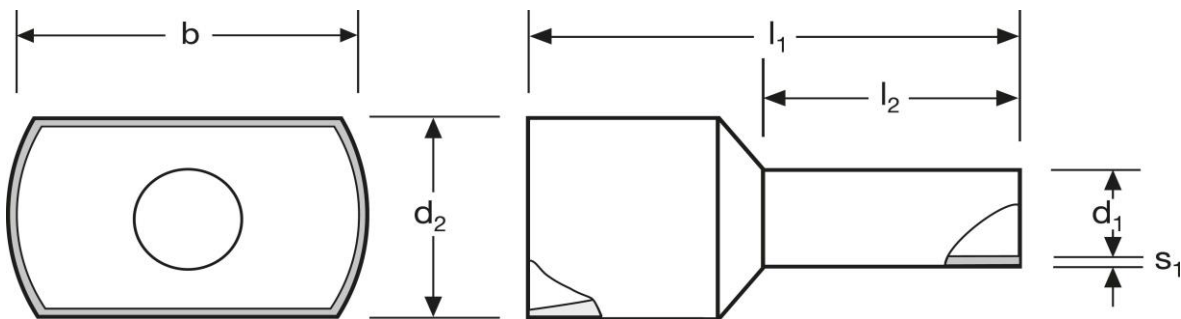
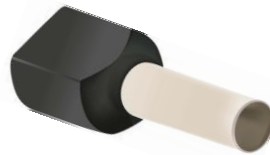
	l_1	l_2	d_1	s_1
in mm:	26,0	14	4,8	0,2

		WE	TM	DIN
d_2	b	A 267141M	A 267142M	A 267143M
6,9	10,0	schwarz	grün	gelb

Stand: 14.01.2019

Twin cord end - sleeves

2 x 6 mm² N



material	insulation		
E-Cu, gal. Sn	PP	0,637 / 1000	100

	l_1	l_2	d_1	s_1
in mm:	26,0	14	4,8	0,2

		WE	TM	DIN
d_2	b	A 267141M	A 267142M	A 267143M
6,9	10,0	black 	green 	yellow

date: 14.01.2019