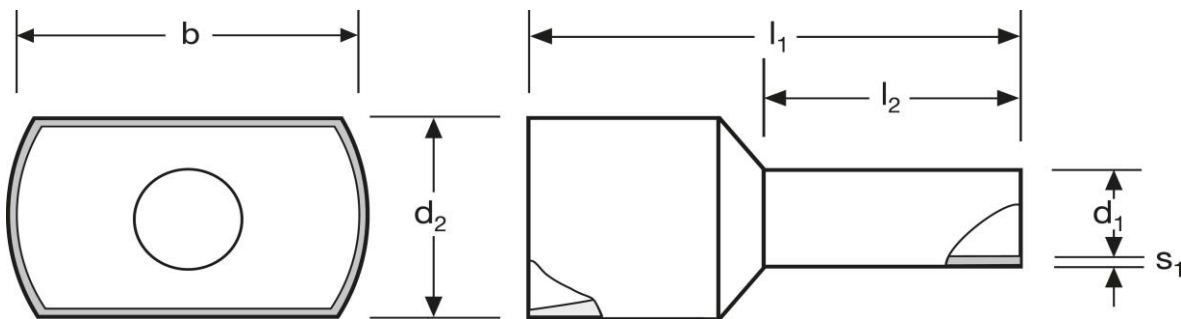
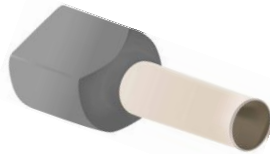


## Twin - Aderendhülsen

2 x 2,5 mm<sup>2</sup> L

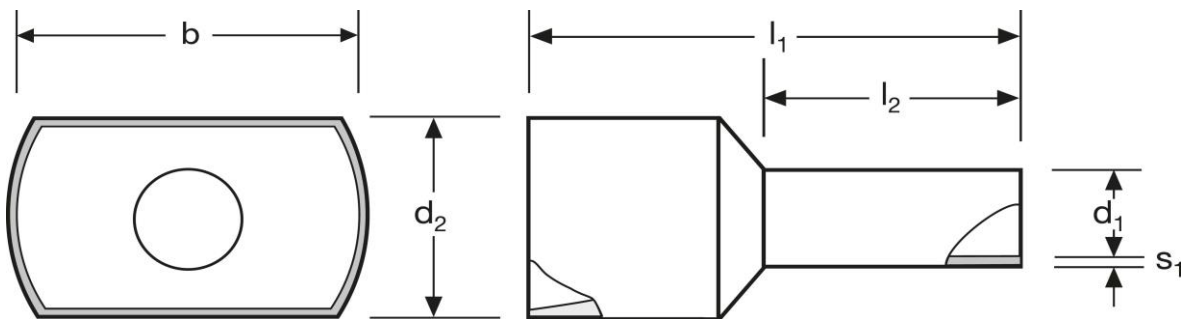
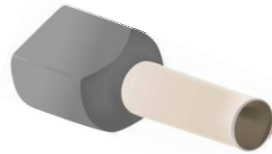


		Material	Isolation		
		E-Cu, gal. Sn	PA	0,352 / 1000	250
		l <sub>1</sub>	l <sub>2</sub>	d <sub>1</sub>	s <sub>1</sub>
in mm:		21,5	13	2,9	0,2
		WE	TM	DIN	
d <sub>2</sub>	b	A 265131	A 265132	A 265133	
4,2	8,0	blau	grau	blau	

Stand: 08.11.2016

## Twin cord end - sleeves

2 x 2,5 mm<sup>2</sup> L



		material	insulation		
		E-Cu, gal. Sn	PA	0,352 / 1000	250
		l <sub>1</sub>	l <sub>2</sub>	d <sub>1</sub>	s <sub>1</sub>
in mm:		21,5	13	2,9	0,2
		WE	TM	DIN	
d <sub>2</sub>	b	A 265131	A 265132	A 265133	
4,2	8,0	blue	grey	blue	

date: 08.11.2016