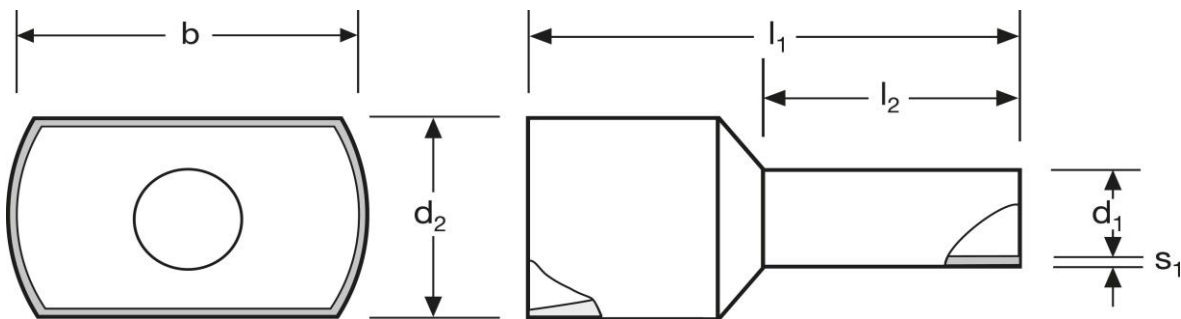
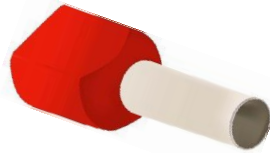


Twin - Aderendhülsen 2 x 1,5 mm² N



Material	Isolation		
E-Cu, gal. Sn	PP	0,174 / 1000	500

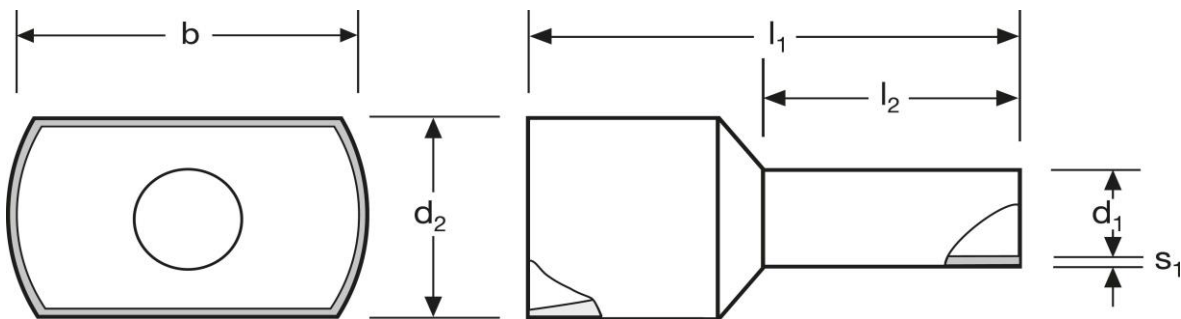
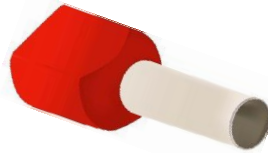
	l_1	l_2	d_1	s_1
in mm:	16,0	8	2,2	0,15

		WE	TM	DIN
d_2	b	A264081M2	A264082M2	A264083M2
3,6	6,5	rot 	schwarz 	schwarz

Stand: 22.01.2019

Twin cord end - sleeves

2 x 1,5 mm² N



material	insulation		
E-Cu, gal. Sn	PP	0,174 / 1000	500

	l_1	l_2	d_1	s_1
in mm:	16,0	8	2,2	0,15

		WE	TM	DIN
d_2	b	A264081M2	A264082M2	A264083M2
3,6	6,5	red 	black 	black

date: 22.01.2019