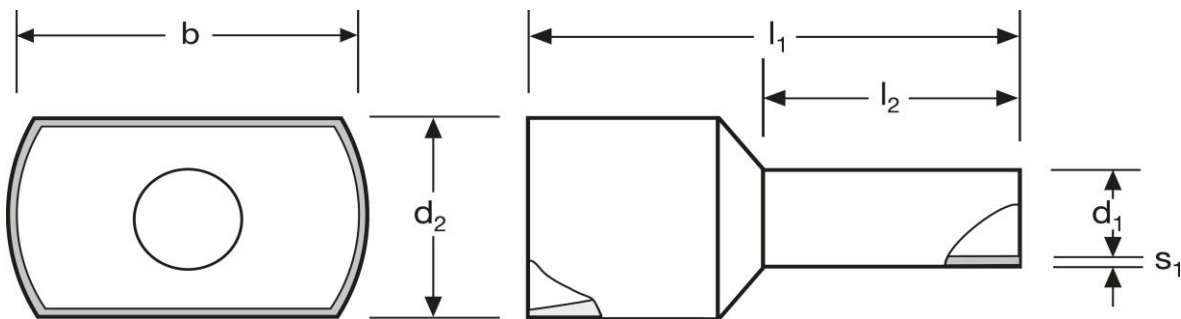
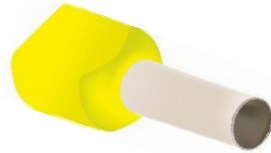



Twin - Aderendhülsen

2 x 1 mm² Sondelänge 14mm



Material	Isolation	
E-Cu, gal. Sn	PP	500

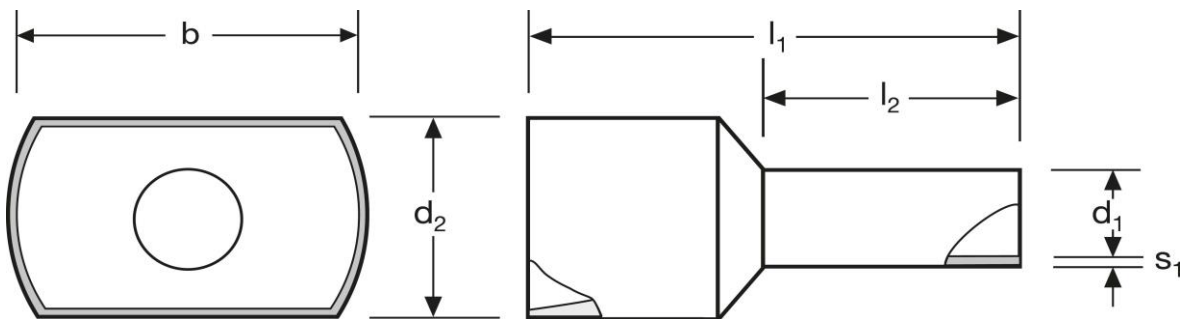
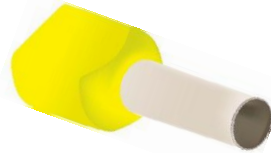
	l_1	l_2	d_1	s_1
in mm:	21,0	14	2	0,15


		WE	TM	DIN
d_2	b	A263141	-	-
3,2	5,8	gelb 		

Stand: 22.01.2019

Twin cord end - sleeves

2 x 1 mm² special length 14mm



material	insulation	
E-Cu, gal. Sn	PP	500

	l_1	l_2	d_1	s_1
in mm:	21,0	14	2,00	0,15

		WE	TM	DIN
d_2	b	A263141	-	-
3,2	5,8	yellow		
				

date: 22.01.2019