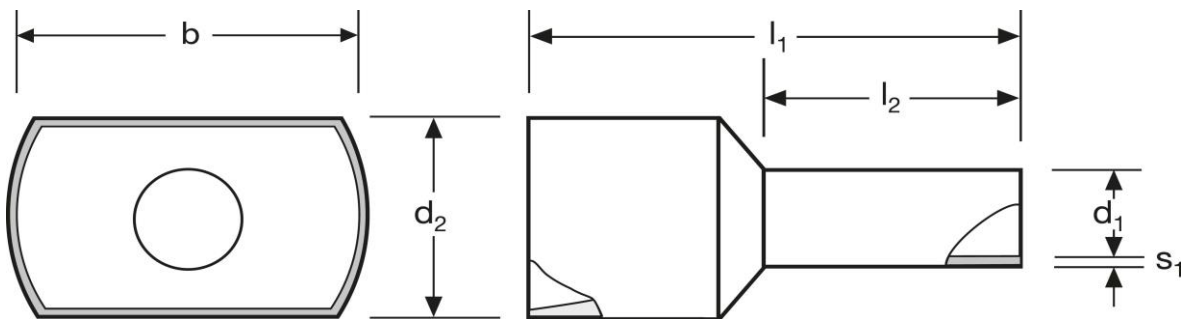


## Twin - Aderendhülsen

2 x 0,75 mm<sup>2</sup> XL

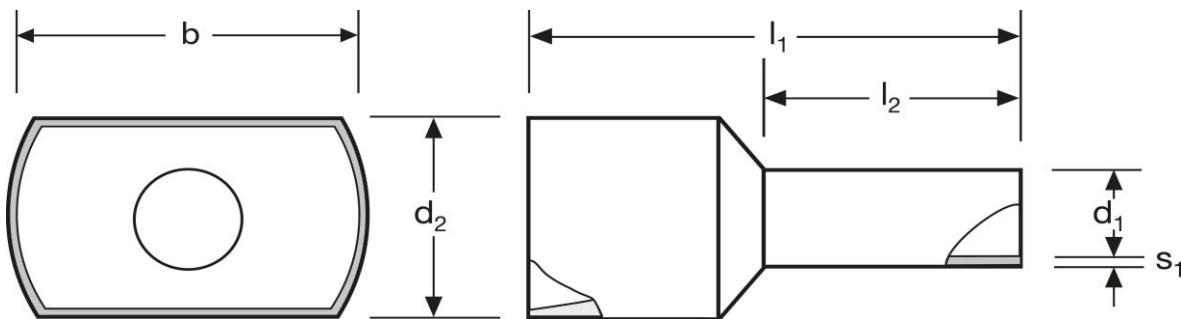


		Material	Isolation		
		E-Cu, gal. Sn	PA	0,180 / 1000	500
		l <sub>1</sub>	l <sub>2</sub>	d <sub>1</sub>	s <sub>1</sub>
in mm:		18,0	12	1,8	0,15
		WE	TM	DIN	
d <sub>2</sub>	b	A 262121	A 262122	A 262123	
3,0	5,4	weiß	hellblau	grau	

Stand: 08.11.2016

## Twin cord end - sleeves

2 x 0,75 mm<sup>2</sup> XL



material	insulation		
E-Cu, gal. Sn	PA	0,180 / 1000	500

	l <sub>1</sub>	l <sub>2</sub>	d <sub>1</sub>	s <sub>1</sub>
in mm:	18,0	12	1,8	0,15

		WE	TM	DIN
d <sub>2</sub>	b	A 262121	A 262122	A 262123
3,0	5,4	white 	lightblue 	grey 

date: 08.11.2016