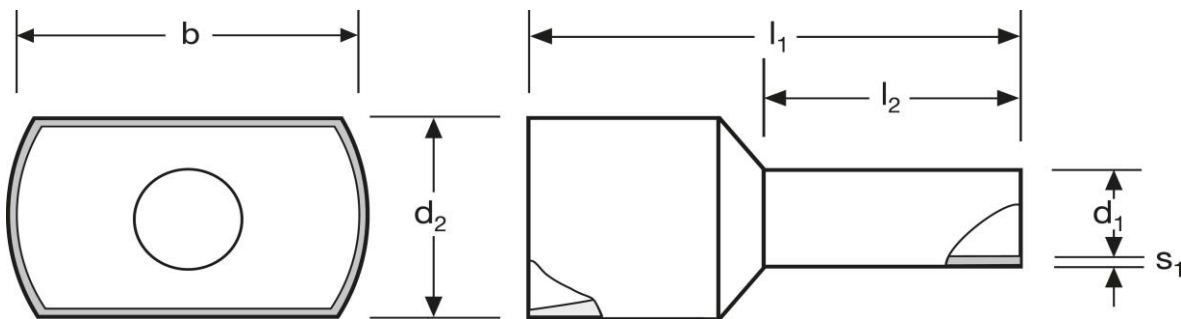
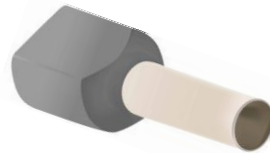


Twin - Aderendhülsen

2 x 0,75 mm² N

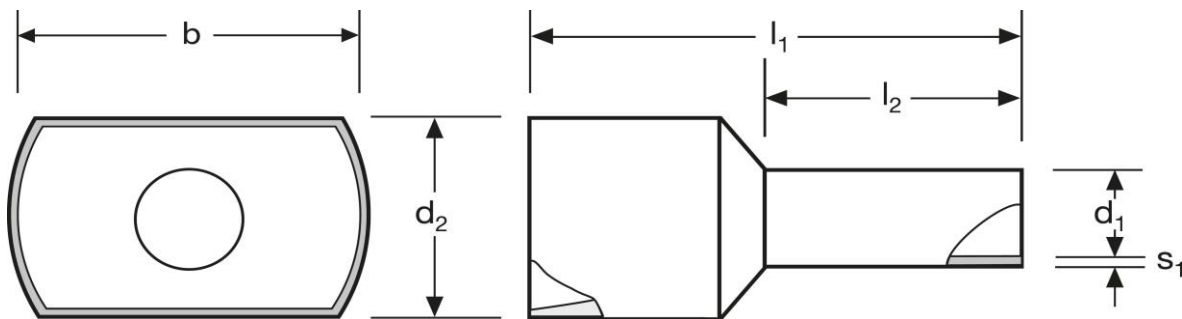
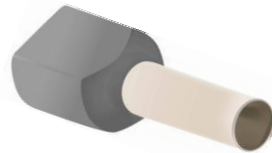


		Material	Isolation		
		E-Cu, gal. Sn	PA	0,125 / 1000	500
		l ₁	l ₂	d ₁	s ₁
in mm:		14,7	8	1,8	0,15
		WE	TM	DIN	
d ₂	b	A 262081	A 262082	A 262083	
3,0	5,5	weiß	hellblau	grau	

Stand: 08.11.2016

Twin cord end - sleeves

2 x 0,75 mm² N



material	insulation		
E-Cu, gal. Sn	PA	0,125 / 1000	500

	l_1	l_2	d_1	s_1
in mm:	14,7	8	1,8	0,15

	d_2	b	WE	TM	DIN
	3,0	5,5	A 262081	A 262082	A 262083
			white	lightblue	grey

date: 08.11.2016