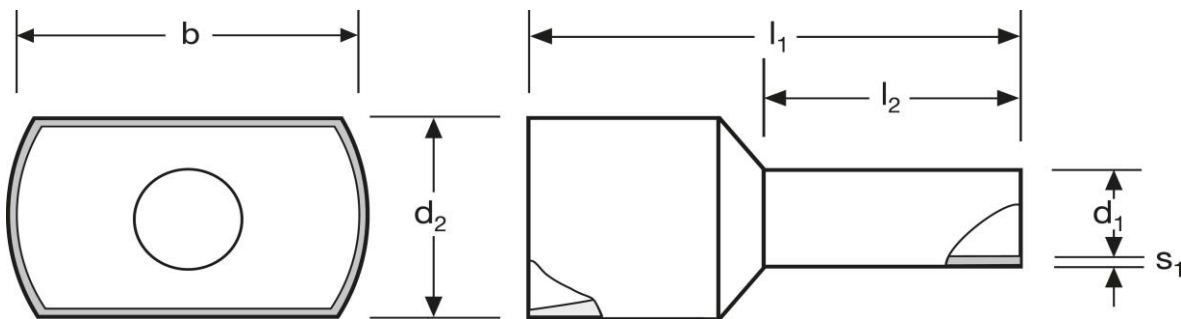
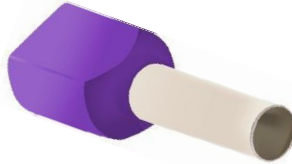





Twin - Aderendhülsen 2 x 0,25 mm² L



Material	Isolation	
E-Cu, gal. Sn	PP	500

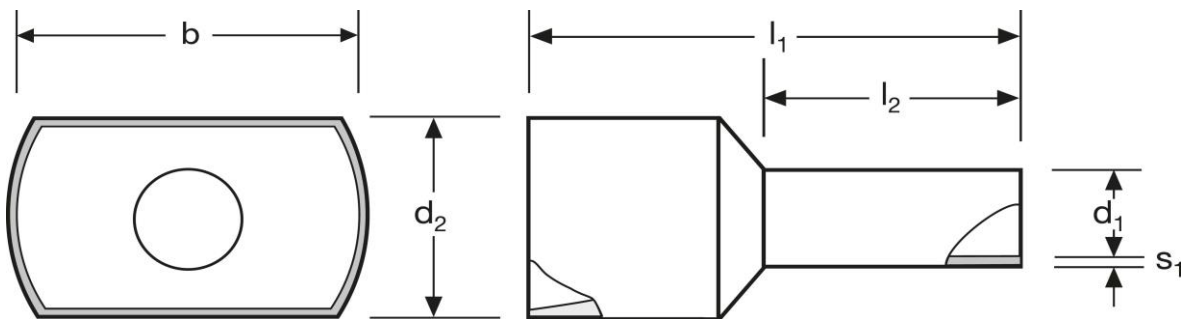
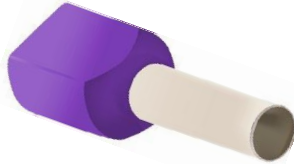
	l_1	l_2	d_1	s_1
in mm:	15,0	8	1,15	0,15

		WE	TM	DIN
d_2	b	A 260041		A 260043
1,8	3,4	hellblau 		violett 

Stand: 14.01.2019



Twin cord end - sleeves

2 x 0,25 mm² L



material	insulation	
E-Cu, gal. Sn	PP	500

	l_1	l_2	d_1	s_1
in mm:	15,0	8	1,15	0,15

		WE	TM	DIN
d_2	b	A 260041		A 260043
1,8	3,4	light-blue 		violet 

date: 14.01.2019